

# ALTA

## LIGHT

### INSTALLATION GUIDE

MODEL #: ALTA-1-AC  
ALTA-1-DC

- SECTION 1:** Safety Instructions
- SECTION 2:** Parts/Assembly Instructions
- SECTION 3:** Specs/Battery Charging
- SECTION 4:** Warranties & Policies

### **WARNING**

To reduce the risk of injury, user must read and understand operator's manual.

**LEAP**  
—INNOVATIONS—

# SECTION 1: SAFETY INSTRUCTIONS



## SAFETY INSTRUCTIONS



FAILURE TO FOLLOW THESE SAFETY INSTRUCTIONS MAY RESULT IN SERIOUS INJURY OR PROPERTY DAMAGE AND WILL VOID WARRANTY.

*Owner must ensure that everyone knows and follows these rules for safe operation of the system.*

To ensure safety, do not attempt to assemble this system without following the instructions carefully. Check the entire box and inside all packing material for parts and/or additional instruction material. Before beginning assembly, read the instructions and identify parts using the hardware identifier and parts list in the instructions. Proper and complete assembly, use, and supervision are essential for proper operation and to reduce the risk of accident or injury. A high probability of serious injury exists if this system is not installed, maintained and operated properly.

*Most injuries are caused by misuse and/or not following instructions. Use caution when using this system.*

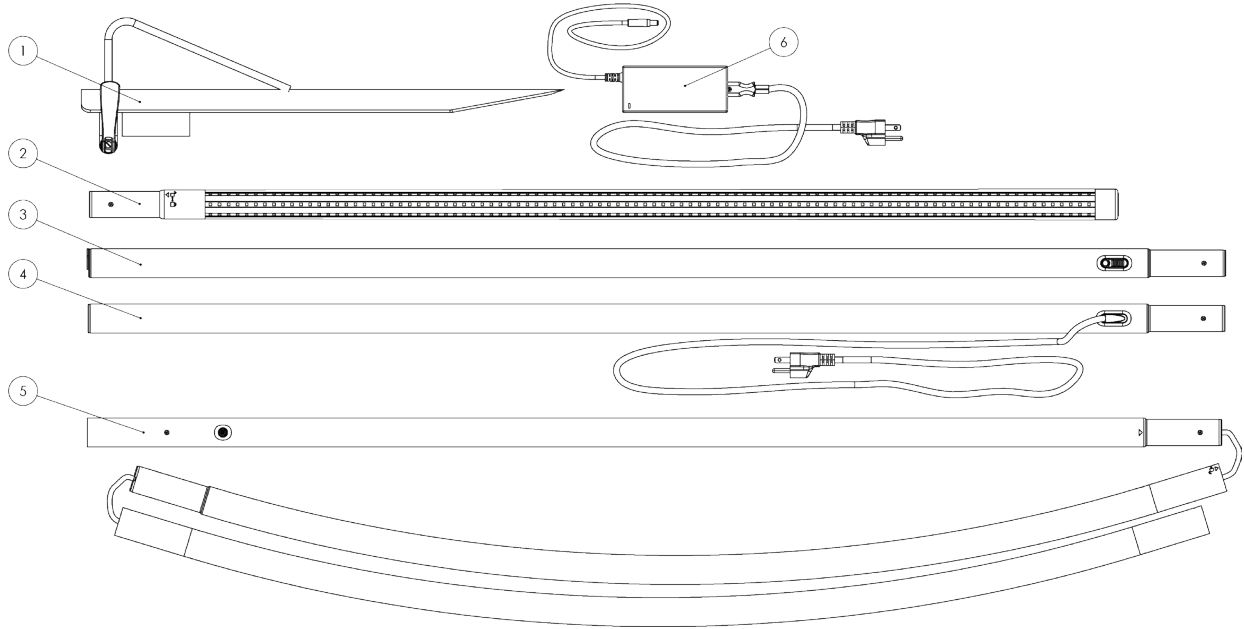
### **WARNING**

- When using electric appliances, basic precautions should always be followed.
- Before using, read this instruction manual. Learn the Alta light's applications and limitations as well as potential hazards associated with this type of tool.
- To reduce the risk of electrical shock, do not put light or charger in water/liquid.
- Close supervision is necessary when an appliance is used near or around children. Store light out of reach of children.
- Only recharge the battery with the included charger. A charger that may be suitable for one type of battery may create a risk of fire when used with another battery. For specific charging instructions, read the instruction manual supplied with your charger and battery.
- Use Alta light only with designated battery pack. Use of any other batteries may create a risk of fire.
- When not in use, keep battery away from metal objects that could potentially cause sparks, burns, or a fire.
- Follow all charging instructions and do not charge the battery outside of the temperature range specified in the instructions. Charging improperly or at extreme temperatures may damage the battery and increase the risk of fire.
- Maintain labels and nameplates on product.
- Do not place light or battery pack near fire or heat. Do not dispose of a worn out battery pack by incinerating.
- Do not operate light or charger near flammable liquids or in gaseous or explosive atmospheres. Internal sparks may ignite fumes.
- Do not look directly into the light when on.
- Carefully position the power cord during use as it can be a tripping hazard.
- To disconnect, turn off the Alta light then remove plug from outlet. Do not unplug by pulling on cord. To unplug, grasp the plug, not the cord.
- Do not operate any product that has been dropped or damaged in any manner.
- Store light indoors and away from the elements when not in use.
- Always unplug the charger and remove the battery pack from the charger or light before doing any maintenance.
- Do not modify or attempt to repair the appliance or the battery pack (as applicable) except as indicated in the instructions.
- Always remove battery pack before changing.

\*Save this instruction sheet in the event that the manufacturer has to be contacted for replacement parts.

# SECTION 2: PARTS / ASSEMBLY INSTRUCTIONS

## PARTS LIST



ITEM #	PART #	PART DESCRIPTION	QUANTITY
1	AT01	Ground Stake	1
2	AT02	LED Light Bar	1
3	AT03	Battery Segment (Only for Model # ALTA-1-DC)	1
4	AT04	Plug Segment (Only for Model # ALTA-1-AC)	
5	AT05	Connector Poles	1
6	AT06	Battery Charger (Only for Model # ALTA-1-DC)	1

## INSTRUCTIONS

**IMPORTANT:** Prior to installation, ensure you have all necessary parts for assembly, shown above. Do not plug the Alta Light into a power source before assembling light properly.

**STEP 1:** Lay Connector Poles (Item #5) flat on the ground. See Figure 1.

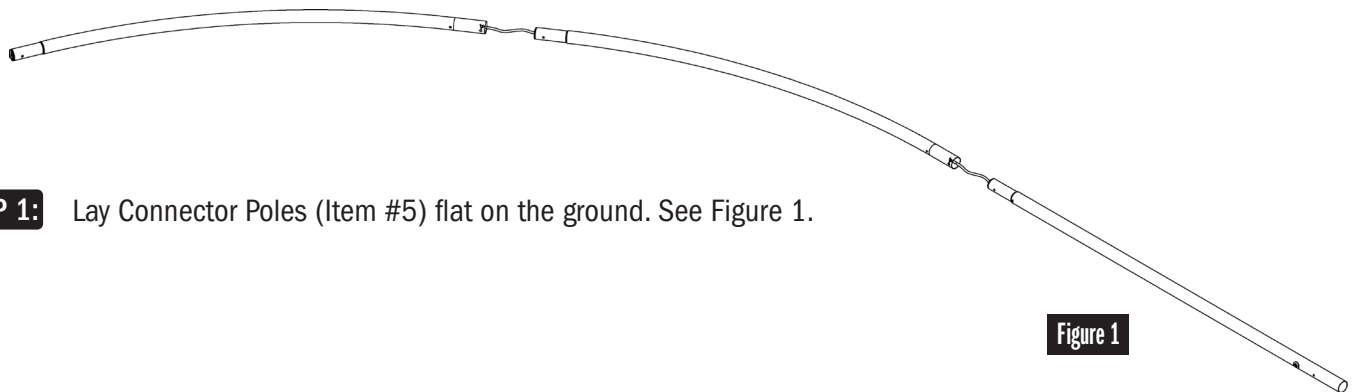
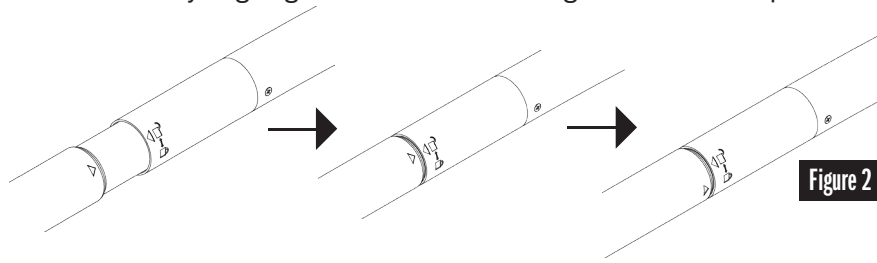
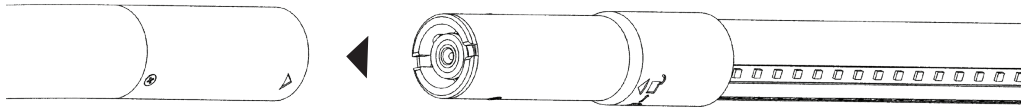


Figure 1

**STEP 2:** Connect each section by aligning the arrows and twisting to the “Locked” position. See Figure 2.



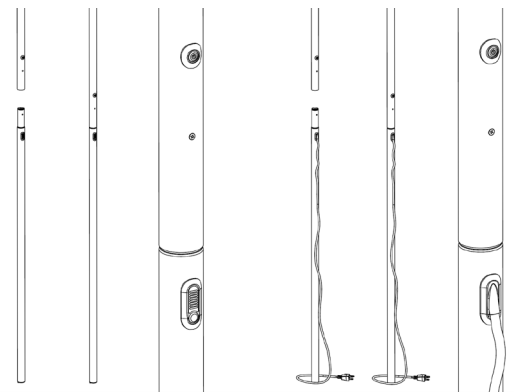
**STEP 3:** Secure the LED Light Bar (Item #2) to the curved end of the Connector Poles by aligning the arrows and twisting to lock. See Figure 3.



**STEP 4:** Secure the power segment of the light, Battery Segment (Item #3) or Plug Segment (Item #4) (only one is included), to the bottom straight portion of the Connector Poles; align the arrows and twist to lock. See Figure 4. Double check that all parts on the pole (Connector Poles, Power Segment and LED Light Bar) are secure before lifting.

**BATTERY BASE**

**PLUG BASE**



**STEP 5:** In the designated location, secure the Ground Stake (Item #1) into the ground. We recommend using a soft mallet to do so. Unlock the handle on the Ground Stake.

**STEP 6:** Lift the light pole and insert into the Ground Stake. Secure with the locking handle. \*Due to the height of the Alta Light, this step may require two people. See Figure 5.

**STEP 7:** Turn the Alta Light on and enjoy!

**Plug Base:** Plug the light into a power outlet. Press the “Power” button to turn ON.

**Battery Base:** Press the “Power” button to turn ON.

**3 DIMMER LEVELS** \*FOR BATTERY BASE ONLY

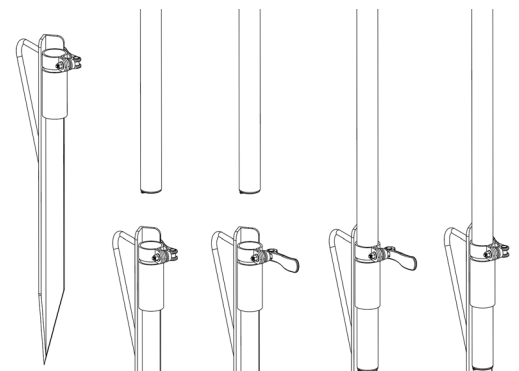
Press “Power” button to adjust the brightness of the light.

First press = 30% brightness

Second press = 60% brightness

Third press = 100% brightness

Fourth press = OFF



# SECTION 4: WARRANTIES & POLICIES

## ALTA LIGHT

### STANDARD LIMITED LIFETIME WARRANTY

Subject to the limitations set forth below, Alta (the “Manufacturer”) warrants to the original consumer purchaser (the “Purchaser”) of the Alta Light (hereinafter referred to as the “Alta”) that the Alta shall be free from material defects in parts and/or workmanship that impair the use of the Alta for so long as the Purchaser owns the Alta.

1. This Warranty is non-transferable and is expressly limited to the repair or replacement of a defective Alta, including any part thereof, covered under this Warranty.
2. To make a claim under this Warranty, the Purchaser must first write the Manufacturer at 405 N 880 W, Suite C, Lindon, UT 84042, to receive a Return Authorization number and/or determine specific needs.
3. The Manufacturer reserves the right to examine photographs and/or physical evidence of a Alta claimed to be defective and to recover said Alta pursuant to the terms of this Warranty, prior to authorization of a claim under this Warranty
4. Unless indicated otherwise by the Manufacturer, in order to determine whether a requested repair is covered under this Warranty, the Alta must be shipped prepaid to the Manufacturer with a copy of the relevant proof of purchase. The Manufacturer will not be responsible for any loss or damage incurred in connection with the return of a Alta or its parts to Manufacturer under this Warranty. The manufacturer will examine the Alta so shipped and, in its sole and reasonable discretion, will determine (1) whether this Warranty covers the Alta and, if it does, (2) whether the Alta needs to be repaired or replaced. Any and all dealer service charges, labor costs, shipping costs, insurance, travel expenses and any other charges or costs involved in the removal, installation or replacement of a defective Alta, including, but not limited to, any part thereof, covered under this Warranty, will be the sole responsibility of the Purchaser and must be prepaid. Any Alta, including any part thereof, shipped to the Manufacturer “collect” will be refused.
5. THIS WARRANTY IS VOID IF THE ALTA HAS BEEN DAMAGED BY ACCIDENT, UNREASONABLE USE AND/OR ABUSE, NEGLIGENCE, IMPROPER SERVICE, IMPROPER INSTALLATION OR HANDLING, FAILURE TO FOLLOW PROVIDED INSTRUCTIONS (INCLUDING WITHOUT LIMITATION USING THE ALTA AT PROHIBITED HEIGHT LEVELS), SHIPPING, VANDALISM, ACTS OF GOD, ENVIRONMENTAL FACTORS, ALTERATION OF THE ALTA, OR ANY OTHER EVENTS BEYOND THE CONTROL OF THE MANUFACTURER OR OTHER CAUSES NOT ARISING OUT OF DEFECTS IN MATERIAL OR WORKMANSHIP.
6. USING THE ALTA FOR OTHER THAN RESIDENTIAL USE WILL ALSO VOID THIS WARRANTY.
7. THIS WARRANTY DOES NOT COVER SCRATCHING OR SCUFFING OF THE ALTA THAT MAY RESULT FROM NORMAL USAGE. THIS WARRANTY ALSO DOES NOT COVER RUSTING PARTS, FADING PAINT, CRACKS THAT DO NOT AFFECT THE FUNCTIONALITY OF THE PRODUCT, OR OTHER DAMAGE CAUSED BY WEATHER OR CLIMATE CONDITIONS OR EXPOSURE TO CORROSIVES SUCH AS SALTS, PESTICIDES, ET
8. This warranty gives the Purchaser specific legal rights, and such Purchaser may also have other rights which vary from state to state.
9. THIS WARRANTY IS GIVEN EXPRESSLY IN LIEU OF ALL OTHER EXPRESS WARRANTIES. ANY IMPLIED WARRANTY ARISING OUT OF THE SALE OF THE ALTA, INCLUDING, BUT NOT LIMITED TO, THE IMPLIED WARRANTIES OF MERCHANTABILITY AND FITNESS FOR A PARTICULAR PURPOSE, IS LIMITED IN DURATION TO THE DURATION OF THIS WARRANTY.
10. Some states do not allow limitations on how long an implied warranty lasts, so the above limitation may not apply to certain Purchasers.
11. THE REMEDY OF REPAIR OR REPLACEMENT STATED ABOVE SHALL BE THE PURCHASER'S EXCLUSIVE REMEDY. THE MANUFACTURER DOES NOT ASSUME OR AUTHORIZE ANY PERSON OR REPRESENTATIVE TO ASSUME ON ITS BEHALF ANY OTHER LIABILITY IN CONNECTION WITH THE SALE OF A ALTA. THE MANUFACTURER SHALL NOT BE LIABLE FOR (A) ANY DAMAGES OR EXPENSES THAT MAY OCCUR, INCLUDING, BUT NOT LIMITED TO, INCIDENTAL, SPECIAL OR CONSEQUENTIAL DAMAGES, ARISING OUT OF OR IN CONNECTION WITH THE DELIVERY, INSTALLATION, USE, PERFORMANCE AND/OR REMOVAL OF THE ALTA (INCLUDING, BUT NOT LIMITED TO, DAMAGE TO CONCRETE OR THE PURCHASER'S YARD); (B) ANY OTHER CLAIM ARISING FROM NEGLIGENCE, STRICT LIABILITY, OR BREACH OF CONTRACT REGARDING THE ALTA; OR © OTHER DAMAGES WITH RESPECT TO ANY ECONOMIC LOSS, LOSS OF PROPERTY, LOSS OF ENJOYMENT OF USE, COSTS OF INSTALLATION AND/OR REMOVAL, OR OTHER CONSEQUENTIAL DAMAGES FOR BREACH OF ANY EXPRESS OR IMPLIED WARRANTY COVERING THE ALTA.
12. Some states do not allow the exclusion or limitation of incidental or consequential damages, so the above limitation or exclusion may not apply to certain Purchasers.
13. While the Manufacturer has made attempts to ensure that the Alta is safe to use, freedom from injury cannot be guaranteed. The Purchaser assumes all risk of injury resulting from the use of the Alta. All Altas are sold subject to this condition, and no representative of the Manufacturer may waive or change this policy.

# ALTA LIGHT

## STANDARD SHIPPING POLICY

This Return Policy applies to the purchase of the Alta Light (hereinafter referred to as the “Alta”) by the original consumer purchaser (“you” or the “Purchaser”) from Leap Innovations (the “Manufacturer”).

1. Any offer for free shipping by the Manufacturer applies ONLY to shipments within the domestic 48 continental United States. Please contact us at 1-877-705-6556 for a shipping quote for deliveries to Alaska, Hawaii, Canada, Mexico, or other locations outside of the United States.
2. If the shipping address is changed during shipping, additional charges may apply.
3. Shipping dates are approximate and Manufacturer does not guarantee estimated delivery dates. Manufacturer is not liable under any circumstances for any delay in shipment or delivery.
4. It is your responsibility to verify the delivery for correctness. You should confirm the correct number of boxes has been delivered to you.
5. You should also carefully inspect all items prior to installing for damage during transit and take photographs of the damage.
6. DO NOT REFUSE DELIVERY IF THE ALTA, OR ANY PORTION THEREOF, IS DAMAGED. Simply note the damage on the delivery receipt and contact us at 801-768-4663 to receive a replacement part.
7. If a certain part, such as the Ground Anchor, is damaged, you may still keep and install the additional working parts while the replacement part is being delivered.
8. Please note, if you live down a road or driveway that the delivery truck cannot traverse, the delivery will not be completed. You may be required to pick up the order from the nearest carrier terminal.
9. Any order returned to Manufacturer marked undeliverable or similar is subject to a 15% restocking fee and any shipping charges incurred by Manufacturer for the initial shipment to the Purchaser will be charged to the Purchaser.

# ALTA LIGHT

## STANDARD RETURN POLICY

This Return Policy applies to the purchase of the Alta Light (hereinafter referred to as the “Alta”) by the original consumer purchaser (“you” or the “Purchaser”) from Leap Innovations (the “Manufacturer”).

1. The Purchaser may cancel an order before shipment and receive a full refund of the amount paid. Orders are normally shipped within 48 business hours and are sometimes shipped the same day.
2. The Purchaser may return an order within 7 days of receipt of the Alta by the Purchaser to receive a partial refund. All returns are subject to a 15% re-stocking fee. The Purchaser is responsible for initial shipping fees upon return of the Alta and any offer for free shipping is surrendered upon return. Except as provided in
3. Manufacturer’s limited lifetime warranty, Manufacturer has sole discretion to reject a request for cancellation or return.
4. The Alta must be unused, in the original shipping boxes and packaging, to be eligible for a refund.
5. Notwithstanding the above paragraphs, Purchaser shall have no right to cancel or return custom-made products.
6. To make a return, the Purchaser must first contact the Manufacturer at 801-768-4663 to receive a Return Authorization number and/or determine specific needs. YOU MUST HAVE A RETURN AUTHORIZATION NUMBER OR YOUR RETURN WILL NOT BE PROCESSED.
7. The Purchaser must ship the Alta to the Manufacturer with proof of purchase. Any and all dealer service charges, labor costs, shipping costs, insurance, travel expenses and any other charges or costs involved in the return of an Alta, will be the sole responsibility of the Purchaser and must be prepaid. The Manufacturer will not be responsible for any loss or damage incurred in connection with the return of an Alta or its parts to Manufacturer. Any Alta, including any part thereof, shipped to the Manufacturer “collect” will be refused.

# SECTION 3: SPECIFICATIONS/CHARGING

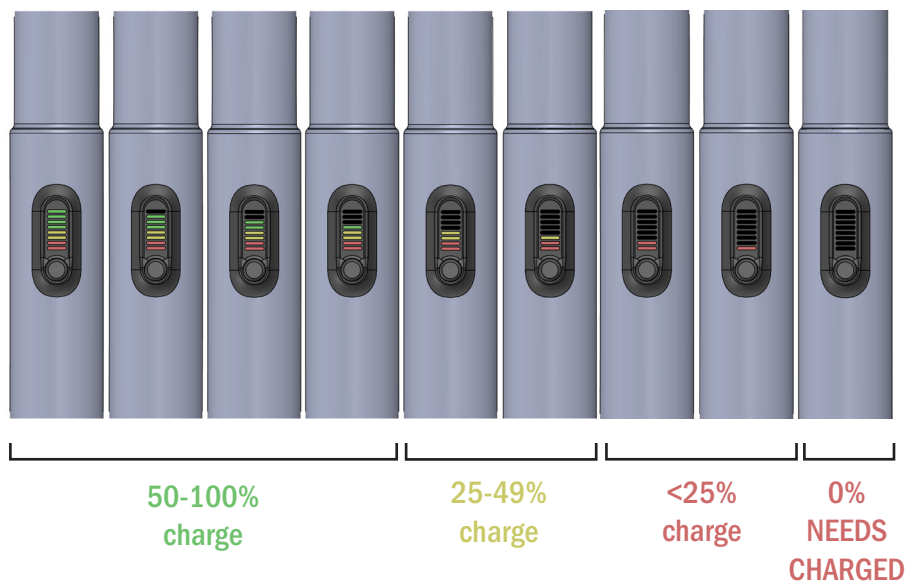
## SPECIFICATIONS

Rated voltage.....	100-277VAC/50-60Hz
Rated power.....	70W MAX
Height.....	13ft
Light Output.....	6300 Lumens Max
Runtime.....	7 Hours (ONLY FOR ALTA-1-DC)
Illumination Diameter.....	130 Feet
Water Resistance.....	IP65
LED Lamp Beads.....	360
IEC Protection Class.....	Class I
Operating environment.....	-40° F ~ 131° F; Humidity: 1% ~ 100%

## BATTERY BASE CHARGING INSTRUCTIONS

\*ONLY APPLICABLE TO BATTERY VERSION (ALTA-1-DC)

The battery gauge on the Alta Light (ALTA-1-DC) indicates approximately how much charge is left on the light. The different battery charge levels are shown below:



Press and hold the battery gauge button to see the charge left. Green = fully charged, yellow = half charged, and red = needs to be charged.

When the Alta Light is ready to be charged, remove the light from the Ground Anchor and lay flat on the ground. Remove the Battery Segment by twisting counterclockwise into the “unlocked” position. Remove dust cover from the bottom of the Battery Segment and plug in the charger. Plug the charger into an appropriate outlet. Battery gauge will show green when fully charged.