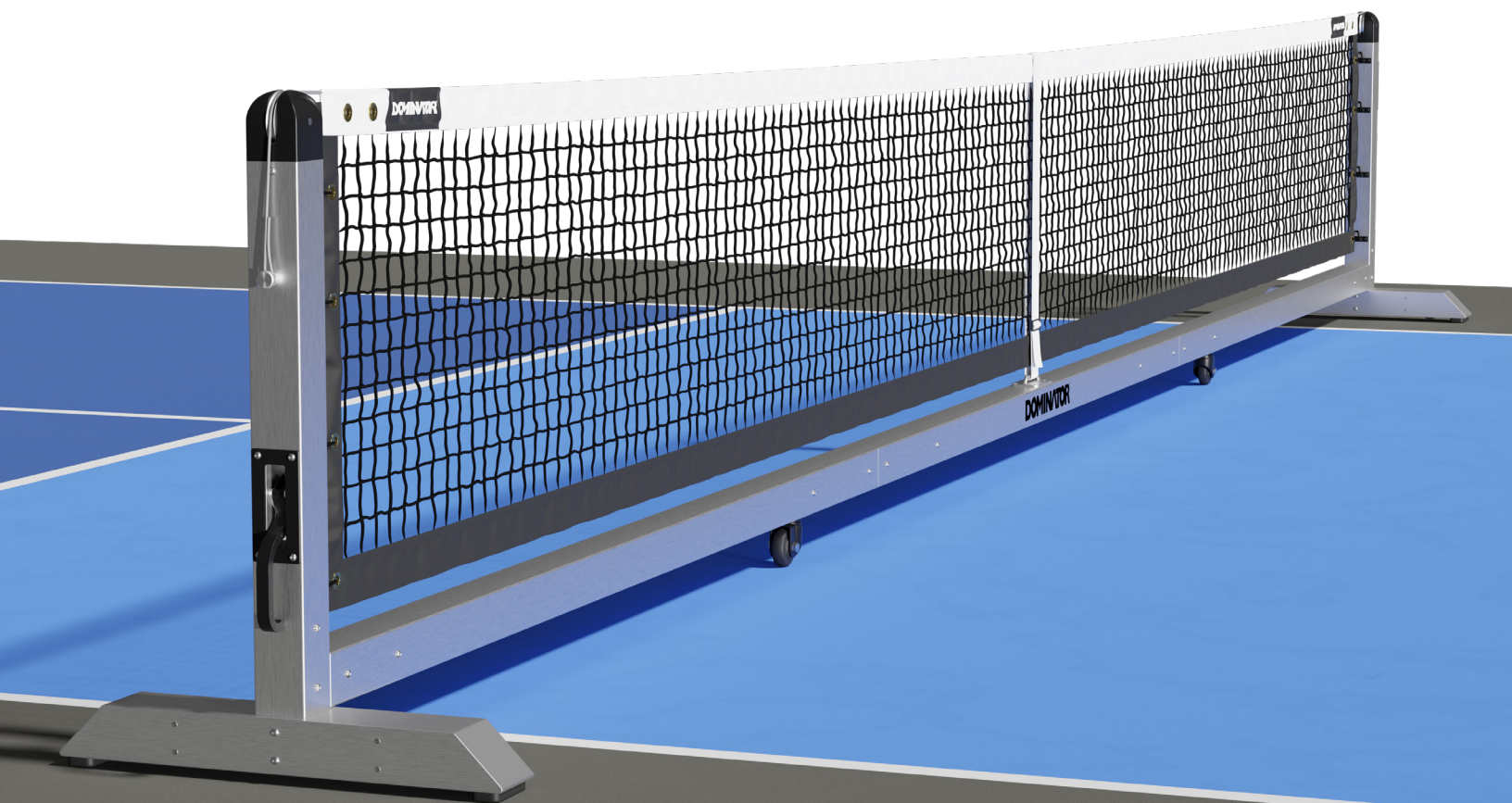


DOMINATOR[®]

ASSEMBLY GUIDE

PRO MAX PICKLEBALL NET

MODEL #: PB-MAX





IMPORTANT SAFETY INFORMATION

BEFORE YOU BEGIN

Read all instructions before assembly. Read the following safety information before assembling or using this product. Failure to follow these instructions may result in serious injury or property damage. Please read the following safety information before assembling or using this product.

⚠ Assembly Safety

Follow all instructions carefully and ensure all hardware is securely tightened before use.

⚠ Stability

Always assemble on a flat surface. Do not climb, sit, or hang on the net frame.

⚠ Pinch Points

Keep hands and fingers clear when connecting frame components or inserting locking pins.

⚠ Proper Use

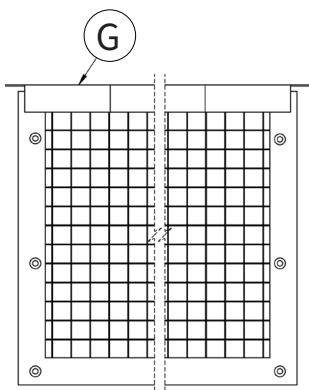
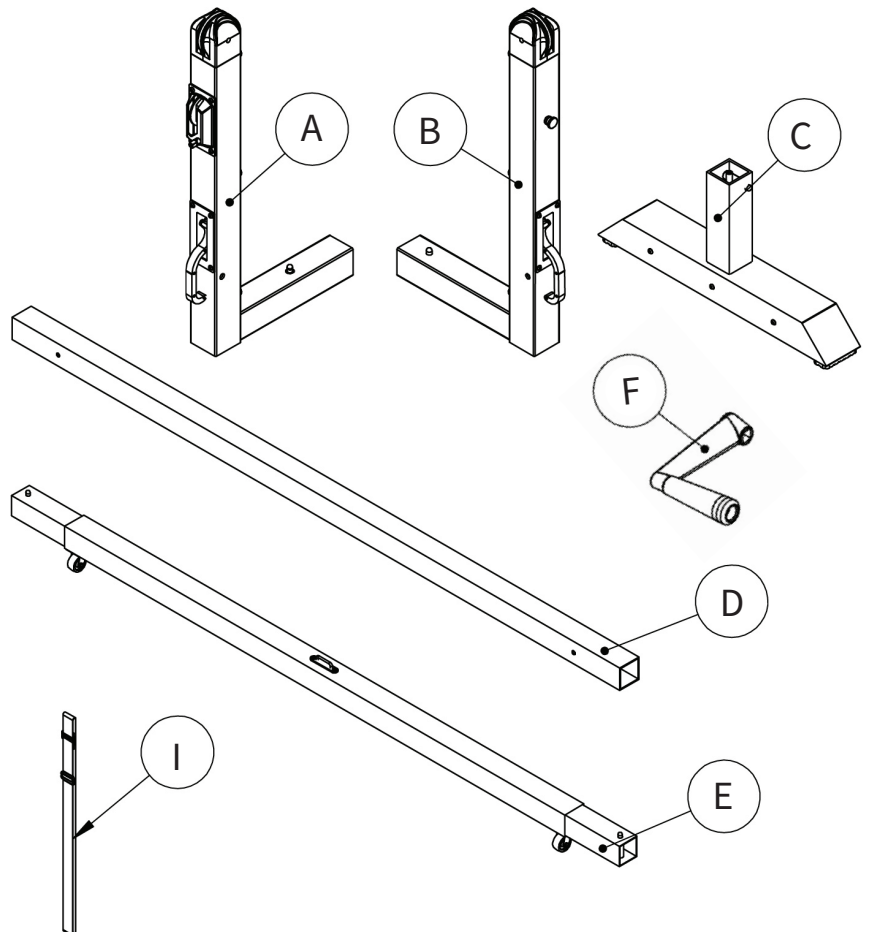
This product is intended for pickleball play only. Misuse may result in injury or damage.

⚠ Weather Conditions

Do not leave the net installed during strong winds or severe weather.

[PARTS]

PART	DESCRIPTION	QTY
A	WINDER L POST	1
B	HOOK L POST	1
C	BASE	2
D	STANDARD BAR	2
E	CENTER BAR W/ CASTERS	1
F	CRANK HANDLE	1
G	NET	1
H	LACING CORD	2
I	CENTER STRAP	1

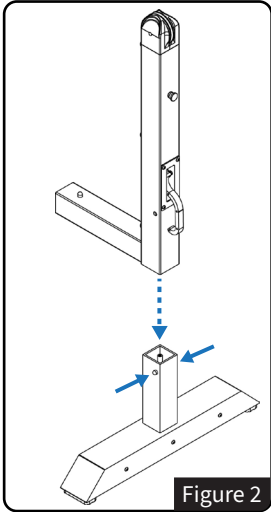
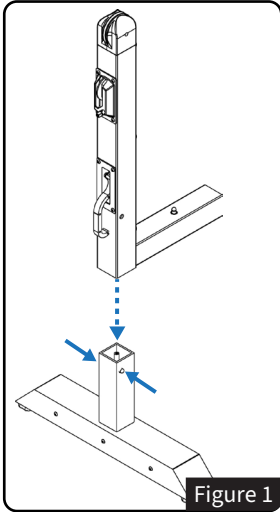


[INSTRUCTIONS]

SECTION 1 | ASSEMBLE THE FRAME

STEP 1- Install the Posts

- Insert the **Winder L Post (Part A)** into the **Base (Part C)** by pressing the spring-loaded buttons on the **Base (C)** and sliding the post in until the buttons lock into place. See *Figure 1*.
- Repeat with the **Hook L Post (Part B)** and the remaining **Base (C)**. See *Figure 2*.

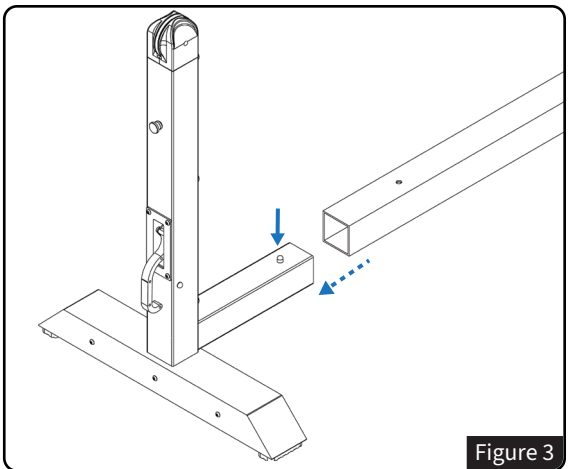


TIP

Lock both base handles in the downward position to retract the wheels and prevent movement during assembly.

STEP 2- Attach the First Frame Bar

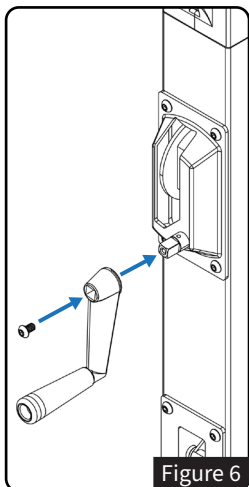
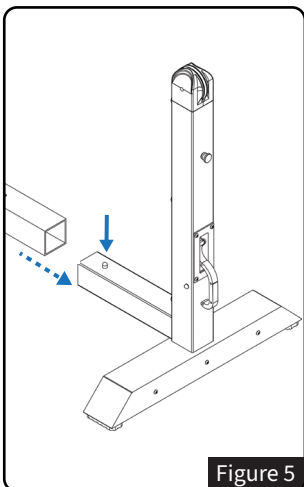
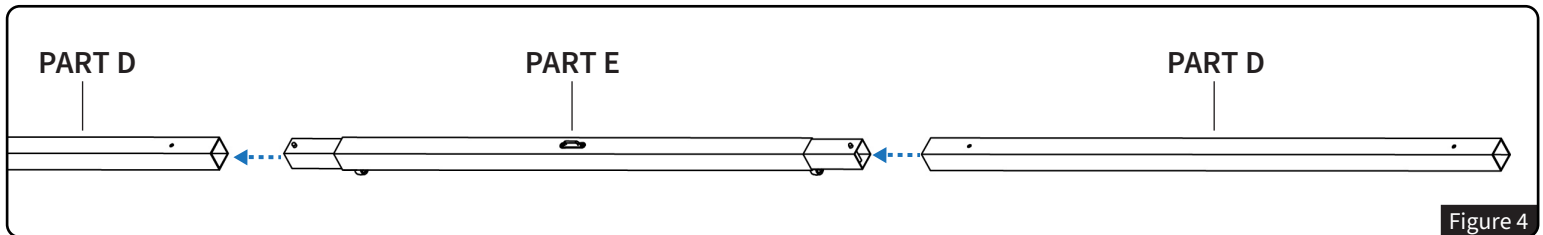
Insert (1) **Standard Bar (Part D)** into the assembled **Winder L Post (A)**. Press the spring-loaded button and slide the bar in until it locks into place. See *Figure 3*.



STEP 3- Complete the Bottom Frame

Continue assembling the bottom frame in the order shown in *Figure 4*.

- Press the spring-loaded button on the **Center Bar with Casters (Part E)** and slide it into the **Standard Bar (D)** from Step 2 until it locks into place.



- Insert the remaining **Standard Bar (D)** into the opposite end of the **Center Bar with Casters (E)**.
- Attach the assembled frame to the **Hook L Post (B)**. See *Figure 5*.

SECTION 2 | CRANK HANDLE INSTALLATION

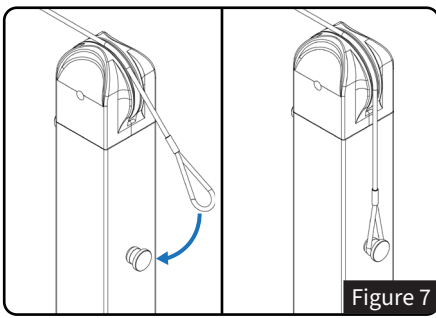
STEP 4- Install the Crank Handle

- Remove the crank handle screw from the **Winder L Post (A)**.
- Attach the **Crank Handle (Part F)**, then reinstall and tighten the screw. See *Figure 6*.

SECTION 3 | INSTALL THE NET

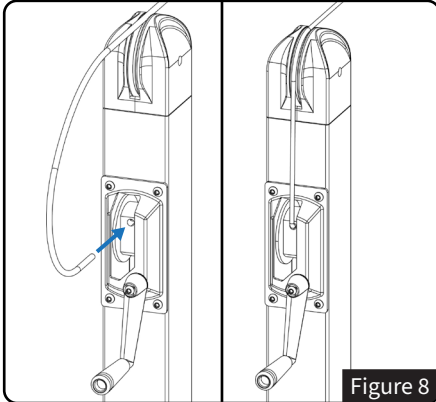
STEP 5- Attach the Net to the Hook Post

- Place one end of the top cord cable from the **Net (Part G)** over the pulley on the **Hook L Post (B)**.
- Loop the cable around the net hook on the back of the post. See *Figure 7*.



STEP 6- Tension the Net

- Place the other end of the top cord cable over the pulley on the **Winder L Post (A)**.
- Insert the cable into the hole on the crank and rotate the **Crank Handle (F)** clockwise to tension the net. See *Figure 8*.



NET HEIGHT CHECK

The center of the net should measure 34”.

SECTION 3 | NET LACING

STEP 7- Prepare the Lacing Cord

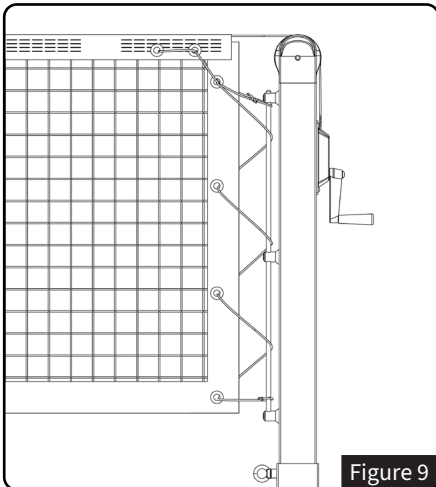
Tie a 2" knotted loop in one end of the **Lacing Cord (Part H)**.

STEP 8- Start Lacing

Feed the opposite end of the **Lacing Cord (H)** around the lacing rod, through the top grommet in the sideband of the net, and through the 2" knotted loop.

STEP 9- Lace the Net to the Post

- Thread the **Lacing Cord (H)** through both headband grommets, then back through each grommet in the opposite direction.
- Continue threading the cord around the lacing rod and through each grommet as shown in *Figure 9*, applying even tension as you work down the net.



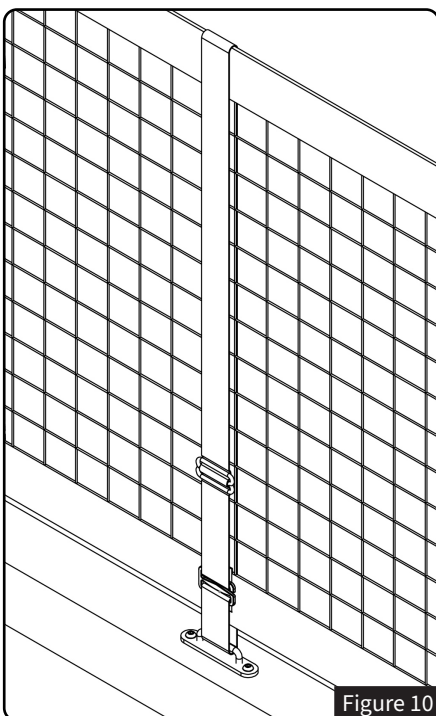
STEP 10- Secure the Lacing Cord

- Tie off the cord at the bottom of the post.
- Repeat **Steps 7-10** on the opposite post.

SECTION 4 | CENTER STRAP INSTALLATION

STEP 11- Install the Center Strap

- Thread the **Center Strap (Part I)** through the opening on the **Center Bar (E)** and over the top of the net.
- Secure it using the attached hook. See *Figure 10*.



[ADDITIONAL RESOURCES]

GUIDES, VIDEOS, & FAQs



WARRANTY INFORMATION



NEED HELP? WE'VE GOT YOU COVERED!

If you have questions about assembly or product use, our team is here to help.

801.768.4663

support@leap-products.com

463 E 1600 N Vineyard, UT 84059

www.dominatorhoop.com

Monday – Friday | 9 AM – 5 PM MST

DOMINATOR[®]

BUILT FOR MOMENTS OF GREATNESS