

# **DOMINATOR**<sup>®</sup>

## ASSEMBLY GUIDE

### PRO PICKLEBALL NET

MODEL #: PB-PRO





# IMPORTANT SAFETY INFORMATION

## BEFORE YOU BEGIN

Read all instructions before assembly. Read the following safety information before assembling or using this product. Failure to follow these instructions may result in serious injury or property damage. Please read the following safety information before assembling or using this product.

### ⚠ Assembly Safety

Follow all instructions carefully and ensure all hardware is securely tightened before use.

### ⚠ Stability

Always assemble on a flat surface. Do not climb, sit, or hang on the net frame.

### ⚠ Pinch Points

Keep hands and fingers clear when connecting frame components or inserting locking pins.

### ⚠ Proper Use

This product is intended for pickleball play only. Misuse may result in injury or damage.

### ⚠ Weather Conditions

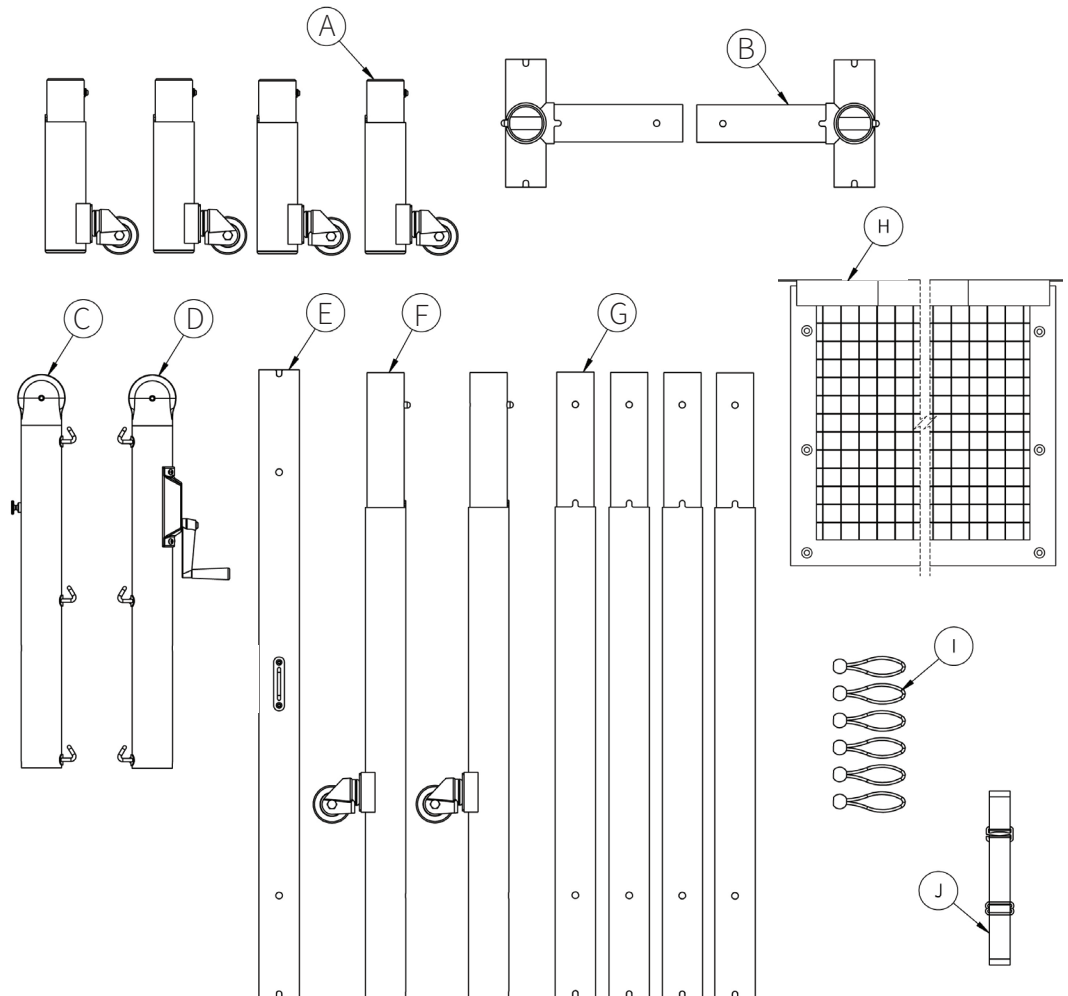
Do not leave the net installed during strong winds or severe weather.

### ⚠ Surface Compatibility

Weighted components may cause denting on certain court surfaces. Failure to verify surface compatibility could result in damage. Consult your court contractor or surface provider prior to installation and use.

## [ PARTS ]

PART	DESCRIPTION	QTY
A	Weighted Caster	4
B	Tri-Link	2
C	Hook Post	1
D	Winder Post	1
E	Center Tube	1
F	Caster Tube	2
G	Standard Tube	4
H	Net	1
I	Bungee	6
J	Center Strap	1



# [ INSTRUCTIONS ]

## SECTION 1 | ASSEMBLE THE BASE

### STEP 1- Prep Weighted Casters

Remove hardware from the **Weighted Casters (Part A)**. See *Figure 1*.

### STEP 2- Attach Casters to Tri-Link

- Slide one **Weighted Caster (A)** into the **Tri-Link (Part B)**, ensuring the tab fits into the slot. See *Figure 2*.
- Reinstall the hardware and hand-tighten. See *Figure 3*.
- Repeat for the remaining (3) **Castors (A)**.

### STEP 3- Install End Posts

- Insert the **Hook Post (Part C)** into the **Tri-Link (B)** by pressing the **spring button** and sliding it into place.
- Ensure:
  - The tab aligns with the slot
  - The spring button pops out
- Repeat for the **Winder Post (Part D)**. See *Figure 4*.



#### TIP

Press the “**ON**” tab on each caster to lock all (4) wheels to keep the frame in place during assembly.

## SECTION 2 | ASSEMBLE THE CENTER FRAME

### STEP 4- Assemble First Frame Section

- Assemble the first section of the center frame in the order shown in *Figure 5* using:
  - 1 X **Center Tube (Part F)**
  - 1 X **Caster Tube (Part F)**
  - 2 X **Standard Tubes (Part G)**
- Press the spring button and slide the tubes together until the button pops into place.

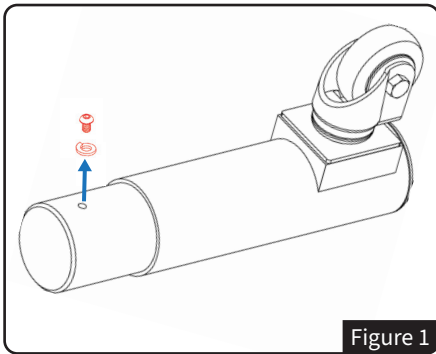


Figure 1

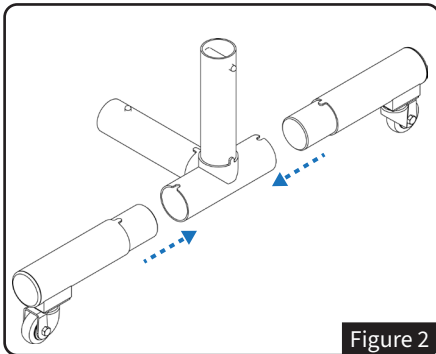


Figure 2

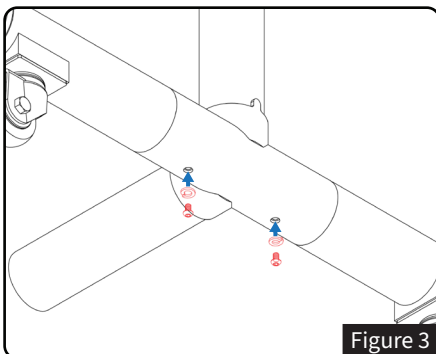


Figure 3

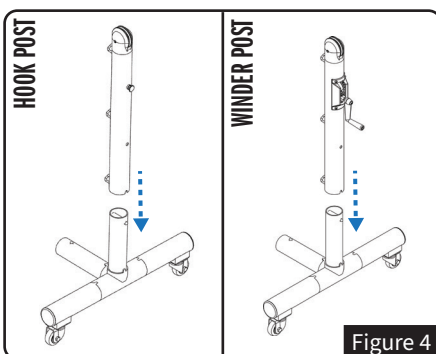


Figure 4

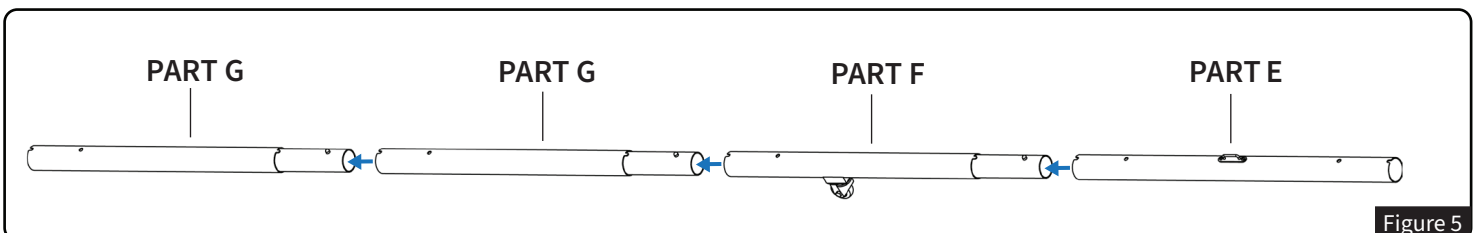


Figure 5

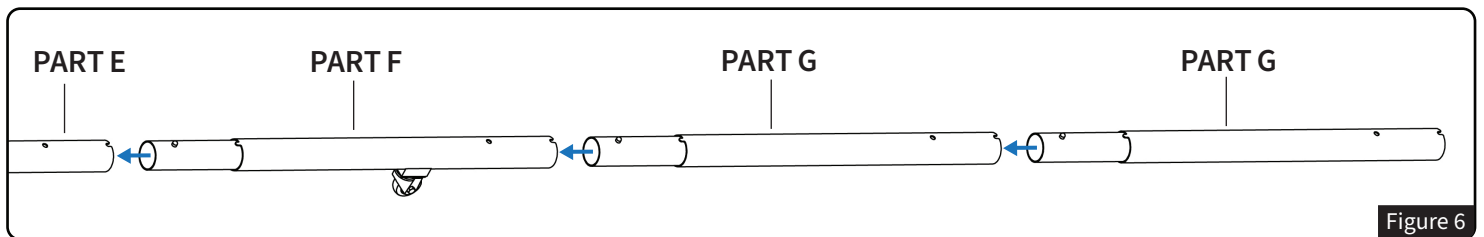


Figure 6

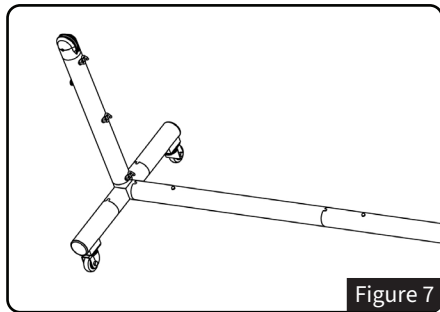


Figure 7

### STEP 5- Complete Frame

- Assemble the second section of the center frame in the **opposite order** as shown in *Figure 6*.
- Connect center frame to the **Tri-Link (B)** component on both assembled bases. See *Figure 7*.

## SECTION 3 | INSTALL THE NET

### STEP 6- Attach Net to Hook Post

Place one end of the top cable of the **Net (Part H)** over the pulley on the **Hook Post (C)** and attach the cable loop to the hook on the back of the post. See *Figure 8*.

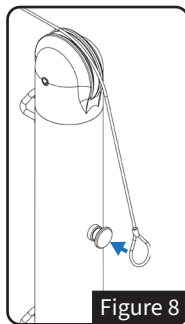


Figure 8

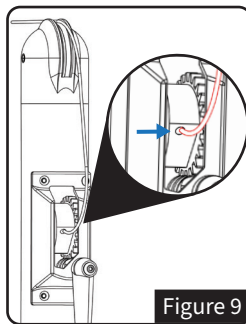


Figure 9

### STEP 7- Tension the Net

- Place the other end of the cable over the pulley on the **Winder Post (D)**.
- Insert the cable into the crank hole and rotate the crank handle clockwise to tension the net. See *Figure 9*.

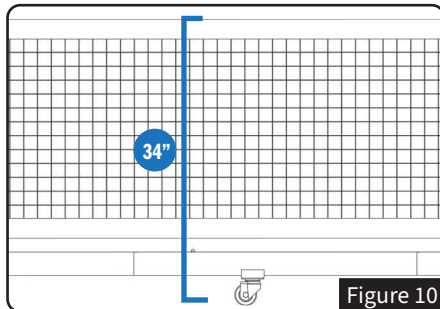


Figure 10



### NET HEIGHT CHECK

The center of the net should measure 34". See *Figure 10*.

### STEP 8- Secure Net with Bungees

- Thread each **Bungee (Part I)** through a net grommet. Pull the plastic end through the loop and attach it to the hook on the base post.
- Repeat for all (6) **Bungees (I)**. See *Figures 11-12*.

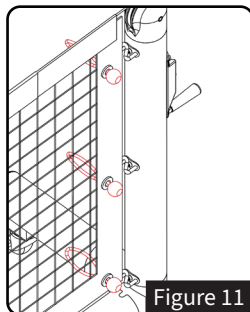


Figure 11

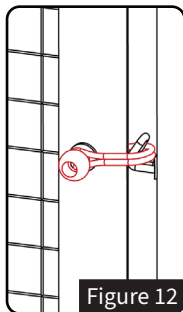


Figure 12

### STEP 9- Attach Center Strap

- Thread the **Center Strap (Part J)** through the tab on the **Center Tube (E)** of the frame.
- Route the strap over the top of the net and secure with the attached hook. See *Figure 13*.

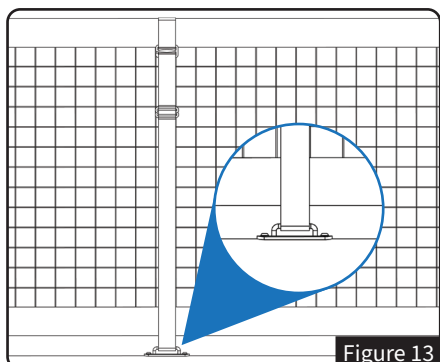


Figure 13

# [ ADDITIONAL RESOURCES ]

## GUIDES, VIDEOS, & FAQs



## WARRANTY INFORMATION



### NEED HELP? WE'VE GOT YOU COVERED!

If you have questions about assembly or product use, our team is here to help.

801.768.4663

[support@leap-products.com](mailto:support@leap-products.com)

463 E 1600 N Vineyard, UT 84059

[www.dominatorhoop.com](http://www.dominatorhoop.com)

Monday – Friday | 9 AM – 5 PM MST

# **DOMINATOR**<sup>®</sup>

**BUILT FOR MOMENTS OF GREATNESS**