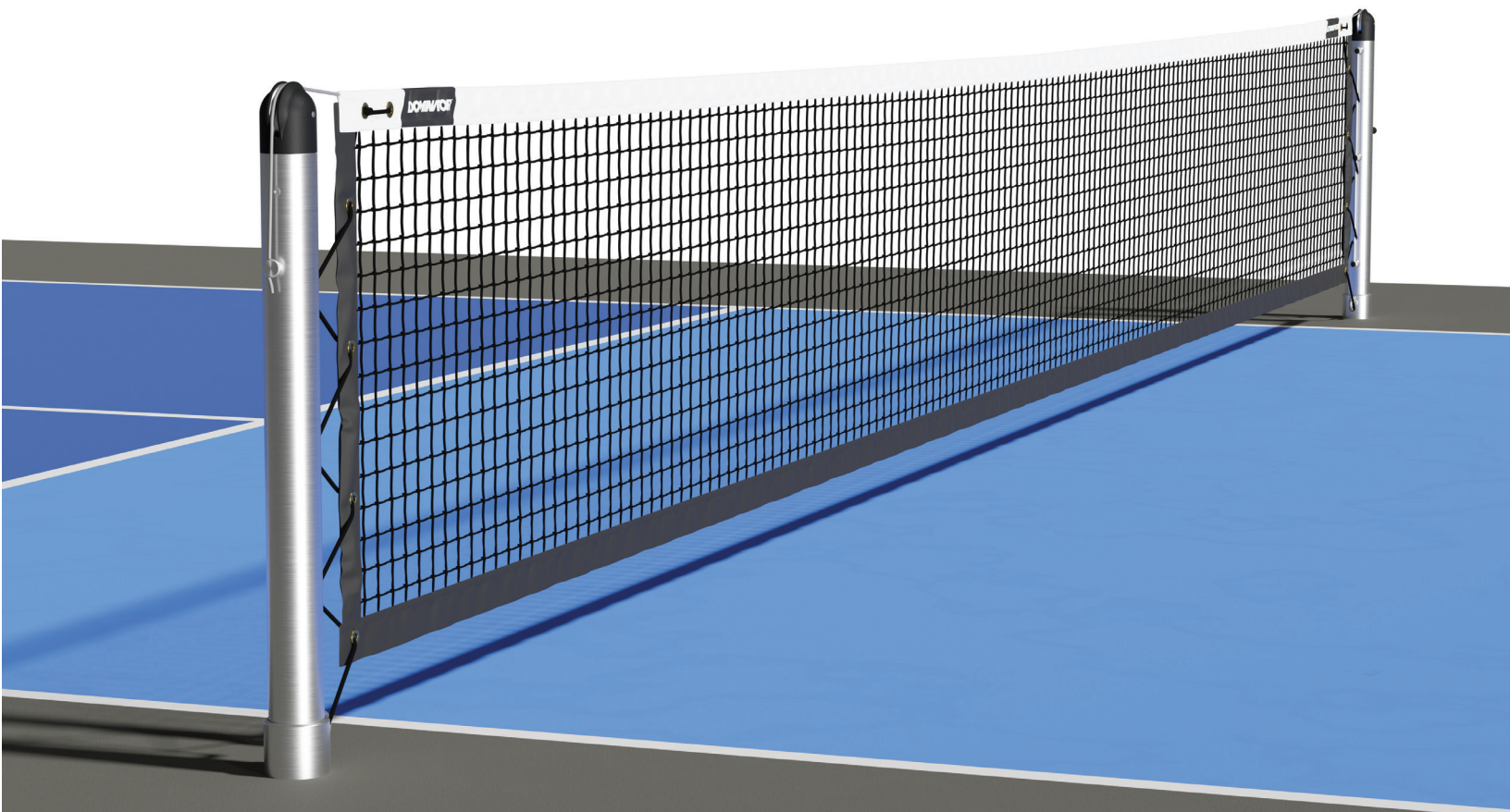


DOMINATOR[®]

ASSEMBLY GUIDE

ROUND IN-GROUND PICKLEBALL NET

MODEL #: RPB-IG2





IMPORTANT SAFETY INFORMATION

BEFORE YOU BEGIN

Read all instructions before assembly. Read the following safety information before assembling or using this product. Failure to follow these instructions may result in serious injury or property damage. Please read the following safety information before assembling or using this product.

⚠ Assembly Safety

Follow all instructions carefully and ensure all hardware is securely tightened before use.

⚠ Stability

Always assemble on a flat surface. Do not climb, sit, or hang on the net frame.

⚠ Pinch Points

Keep hands and fingers clear when connecting frame components or inserting locking pins.

⚠ Proper Use

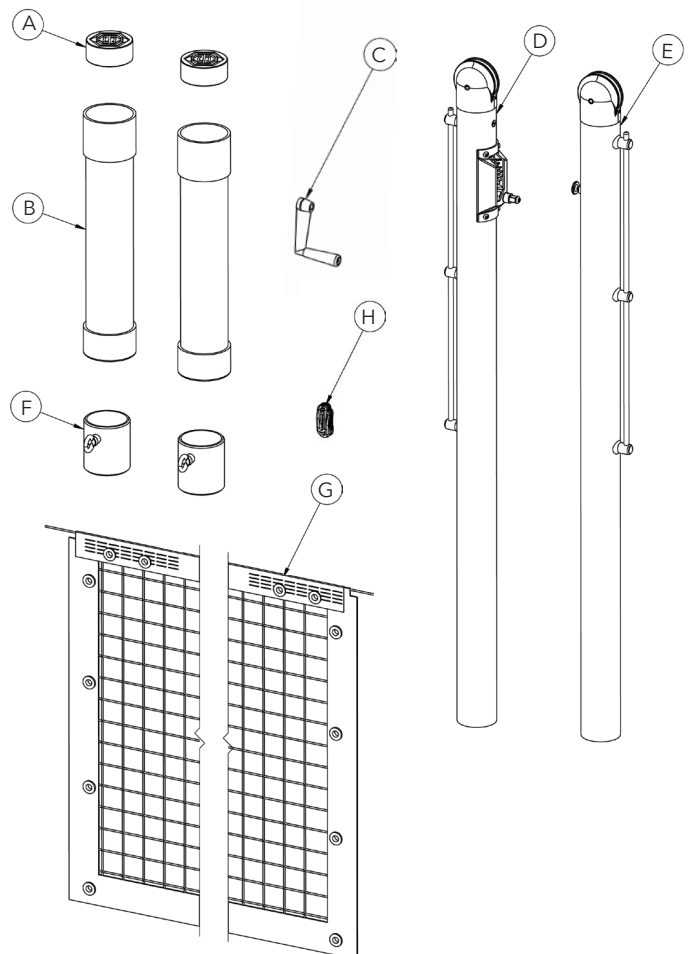
This product is intended for pickleball play only. Misuse may result in injury or damage.

⚠ Weather Conditions

Do not leave the net installed during strong winds or severe weather.




[PARTS & TOOLS]

PART	DESCRIPTION	QTY
A	ANCHOR SLEEVE CAP	2
B	ANCHOR SLEEVE	2
C	CRANK HANDLE	1
D	WINDER POST	1
E	HOOK POST	1
F	HEIGHT COLLAR	2
G	HEAVY DUTY NET	1
H	LACING CORD	2



TOOLS REQUIRED

(NOT INCLUDED)

-  TAPE MEASURE
-  LEVEL
-  SHOVEL
-  CONCRETE

[INSTRUCTIONS]

SECTION 1 | SITE PREP + SLEEVE INSTALLATION

STEP 1- Dig Post Holes

- Dig two holes **20' apart** to the depth and dimensions shown in *Figure 1*.
- Final distance between inside faces of posts should be **22'**.



IMPORTANT

These dimensions are a guideline; adjust for local frost and soil conditions.

STEP 2- Add Initial Concrete

- Mix concrete and fill each hole until the concrete is **16" below** the playing surface. See *Figure 2*.

STEP 3- Install Anchor Sleeve

- Remove **Anchor Sleeve Caps (Part A)** from **Anchor Sleeves (Part B)**.
- Insert **Anchor Sleeves (B)** into the concrete. See *Figure 3*.
- Ensure sleeves are **22' apart** (inside face to inside face).

STEP 4- Align Sleeves

- Use a level to ensure each sleeve is:
 - Flush with the playing surface
 - Straight and properly aligned with each other

STEP 5- Monitor While Setting

- Periodically check alignment and height as concrete begins to set.

STEP 6- Finish Pouring Concrete

- Replace **Anchor Sleeve Caps (A)** and finish filling the hole with concrete. See *Figures 4 & 5*.

STEP 7- Allow Concrete to Cure

- Let concrete cure for **72 hours** before installing posts.

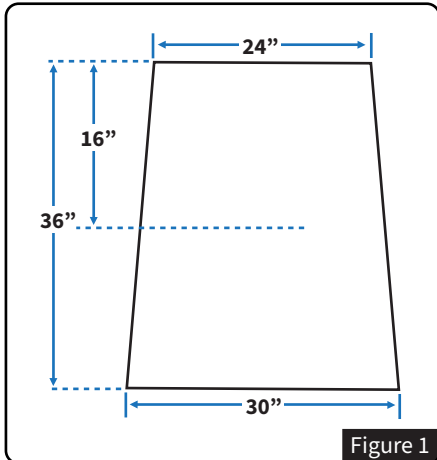


Figure 1

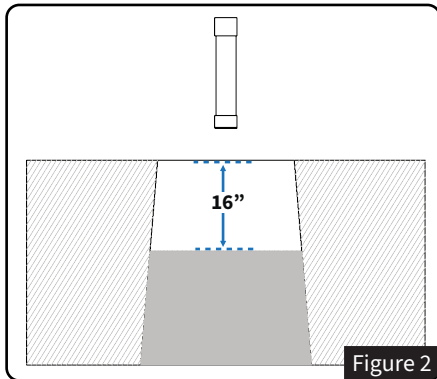


Figure 2

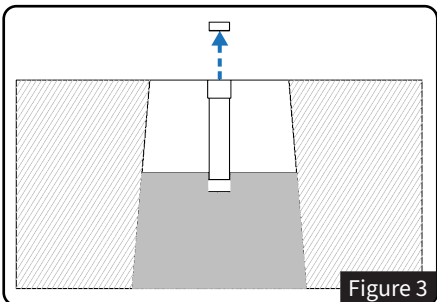


Figure 3

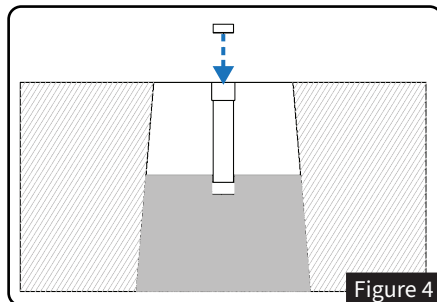


Figure 4

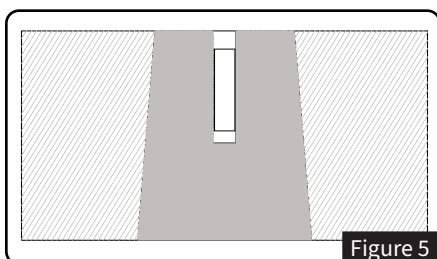


Figure 5

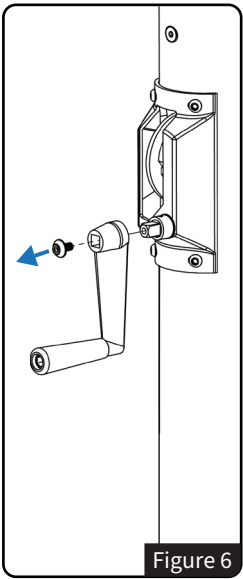


Figure 6

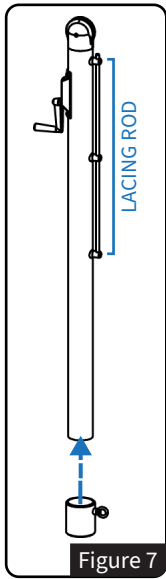


Figure 7

SECTION 2 | POST ASSEMBLY + SETUP

STEP 1- Attach Crank Handle

- Remove the screw from the Crank Handle (Part C).
- Attach handle to Winder Post (Part D).
- Replace and tighten screw. See *Figure 6*.

STEP 2- Slide on Height Collars

- Slide Height Collar (Part F) onto Winder Post (D) and Hook Post (Part E).
- Ensure eye bolts face *inward*, on the same side as the lacing rod. See *Figure 7*.

STEP 3- Install Posts

- Remove Anchor Sleeve Caps (A) from Anchor Sleeves (B).
- Insert each post into the sleeve with the lacing rod facing *inward* toward the opposite post.
- Repeat for both sides. See *Figure 8*.

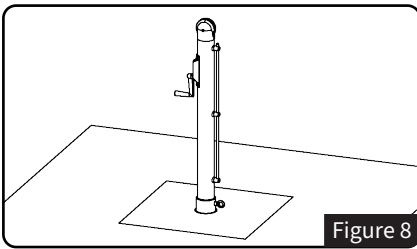


Figure 8

STEP 4- Set Post Height

- Loosen eye bolts on the Height Collar (F).
- Adjust post height to 36" using a tape measure and retighten eye bolts to secure. See *Figure 9*.

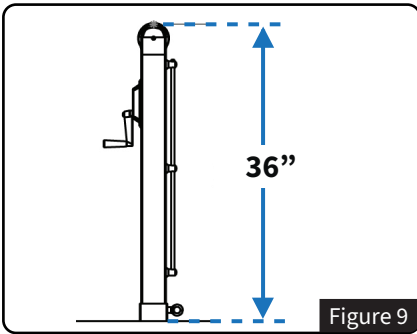


Figure 9

SECTION 3 | NET INSTALLATION

STEP 5- Attach the Net to the Hook Post

- Place one end of the top cord cable from the Heavy Weight Net (Part G) over the pulley on the Hook Post (E).
- Loop the cable around the net hook on the back of the post. See *Figure 10*.

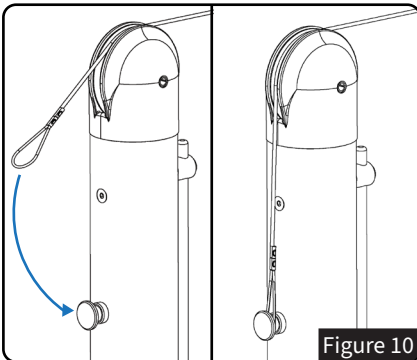


Figure 10

STEP 5- Tension the Net

- Place the other end of the top cord cable over the pulley on the Winder Post (D).
- Attach the cable to the screw on the Crank Handle (C) and tighten the screw. See *Figure 11*.
- Rotate the Crank Handle (C) clockwise to tension the net.

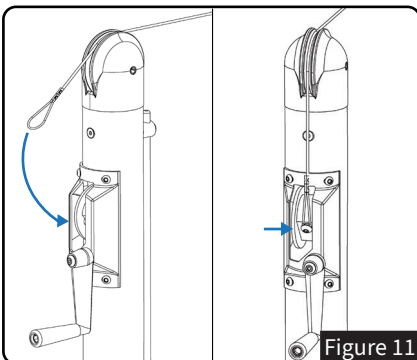


Figure 11



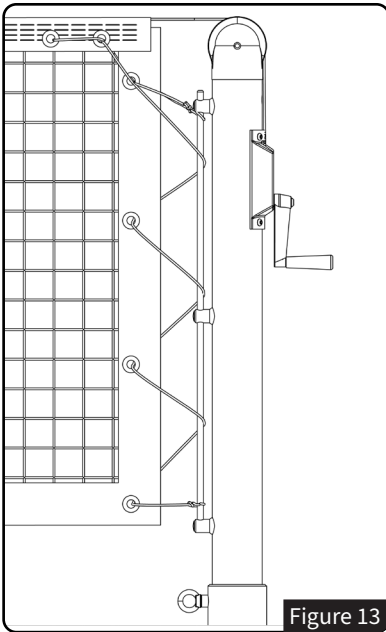
NET HEIGHT CHECK

The center of the net should measure 34".

SECTION 4 | NET LACING

STEP 7- Prepare the Lacing Cord

Tie a 2" knotted loop in one end of the Lacing Cord (Part H).



STEP 8- Start Lacing

Feed the opposite end of the **Lacing Cord (H)** around the lacing rod, through the top grommet in the sideband of the net, and through the 2" knotted loop.

STEP 9- Lace the Net to the Post

- Thread the **Lacing Cord (H)** through both headband grommets, then back through each grommet in the opposite direction.
- Continue threading the cord around the lacing rod and through each grommet as shown in *Figure 13*, applying even tension as you work down the net.

STEP 10- Secure the Lacing Cord

- Tie off the cord at the bottom of the post.
- Repeat **Steps 7-10** on the opposite post.

[ADDITIONAL RESOURCES]

GUIDES, VIDEOS, & FAQs



WARRANTY INFORMATION



NEED HELP? WE'VE GOT YOU COVERED!

If you have questions about assembly or product use, our team is here to help.

801.768.4663
support@leap-products.com
463 E 1600 N Vineyard, UT 84059
www.dominatorhoop.com

Monday – Friday | 9 AM – 5 PM MST

DOMINATOR®

BUILT FOR MOMENTS OF GREATNESS

Last Revised: 5.19.26