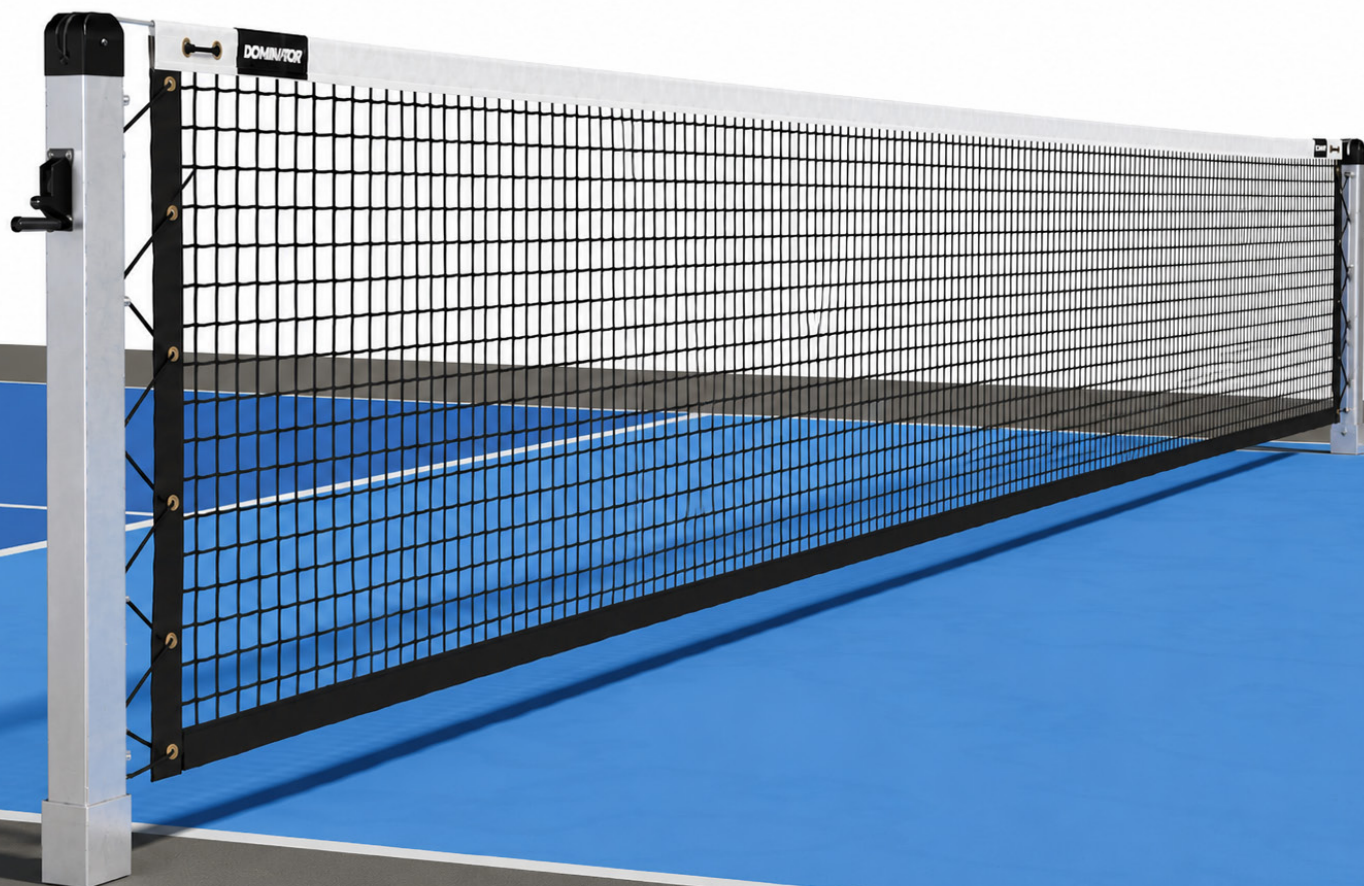


DOMINATOR[®]

ASSEMBLY GUIDE

SQUARE IN-GROUND PICKLEBALL NET

MODEL #: SPB-IG2





IMPORTANT SAFETY INFORMATION

BEFORE YOU BEGIN

Read all instructions before assembly. Read the following safety information before assembling or using this product. Failure to follow these instructions may result in serious injury or property damage. Please read the following safety information before assembling or using this product.

⚠ Assembly Safety

Follow all instructions carefully and ensure all hardware is securely tightened before use.

⚠ Stability

Always assemble on a flat surface. Do not climb, sit, or hang on the net frame.

⚠ Pinch Points

Keep hands and fingers clear when connecting frame components or inserting locking pins.

⚠ Proper Use

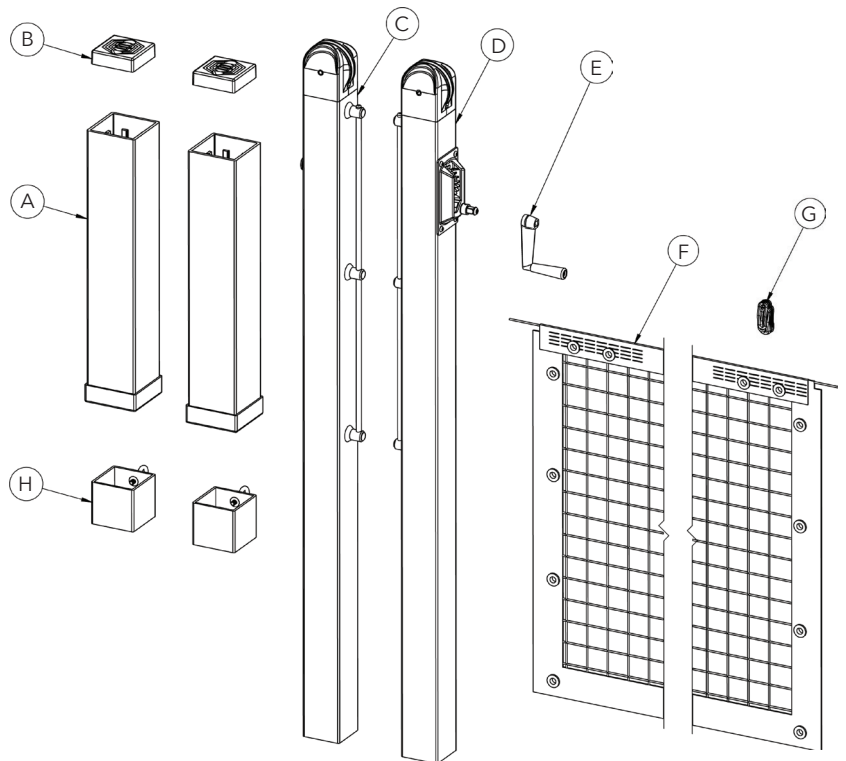
This product is intended for pickleball play only. Misuse may result in injury or damage.

⚠ Weather Conditions




Do not leave the net installed during strong winds or severe weather.

[PARTS & TOOLS]

PART	DESCRIPTION	QTY
A	ANCHOR SLEEVE	2
B	ANCHOR SLEEVE CAP	2
C	HOOK POST	1
D	WINDER POST	1
E	CRANK HANDLE	1
F	HEAVY DUTY NET	2
G	LACING CORD	1
H	HEIGHT COLLAR	2



TOOLS REQUIRED

-  TAPE MEASURE
-  LEVEL
-  SHOVEL
-  CONCRETE

[INSTRUCTIONS]

SECTION 1 | SITE PREPARATION + SLEEVE INSTALLATION

STEP 1- Dig Post Holes

- Dig two holes 20' apart to the depth and dimensions shown in *Figure 1*.
- Final distance between inside faces of posts should be 22'.



IMPORTANT

These dimensions are a guideline; adjust for local frost and soil conditions.

STEP 2- Add Initial Concrete

- Mix concrete.
- Fill each hole until the concrete is 16" below the playing surface. See *Figure 2*.

STEP 3- Install Anchor Sleeve

- Remove **Anchor Sleeve Caps (Part B)**.
- Insert **Anchor Sleeves (Part A)** into the concrete. See *Figure 3*.
- Ensure sleeves are 22' apart (inside face to inside face).

STEP 4- Align Sleeves

- Use a level to ensure each sleeve is:
 - Flush with the playing surface
 - Straight and properly aligned

STEP 5- Monitor While Setting

- Periodically check alignment and height as concrete begins to set.

STEP 6- Finish Pouring Concrete

- Replace **Anchor Sleeve Caps (B)**.
- Fill remaining space with concrete. See *Figures 4 & 5*.

STEP 7- Allow concrete to cure

- Let concrete cure for 72 hours before installing posts.

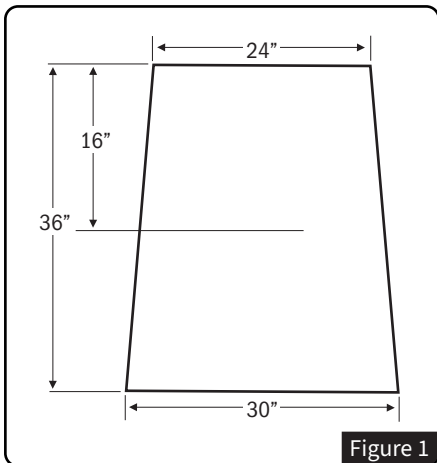


Figure 1

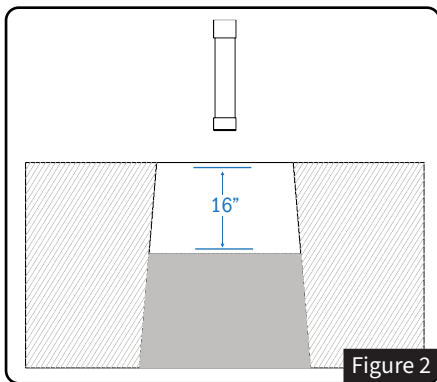


Figure 2

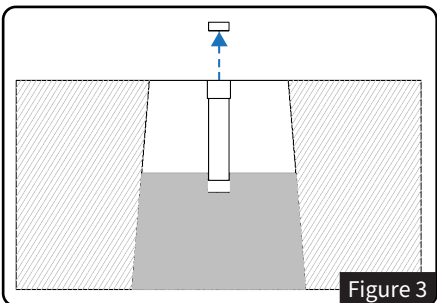


Figure 3

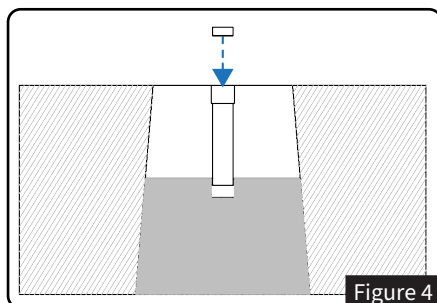


Figure 4

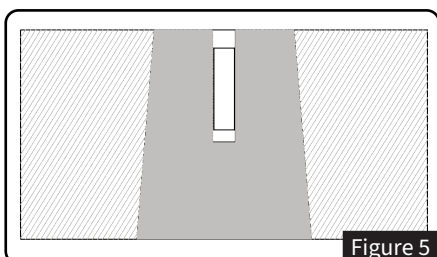


Figure 5

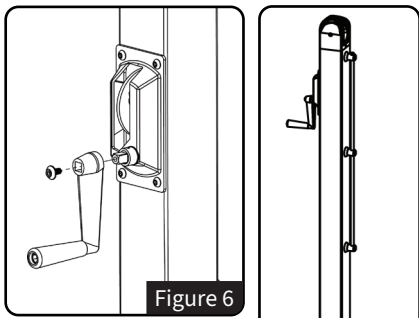


Figure 6

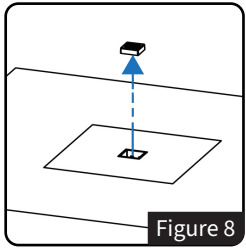


Figure 8

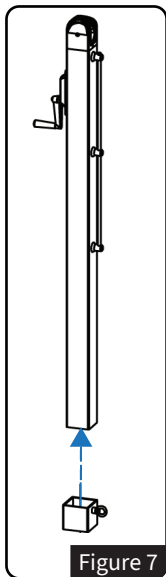


Figure 7

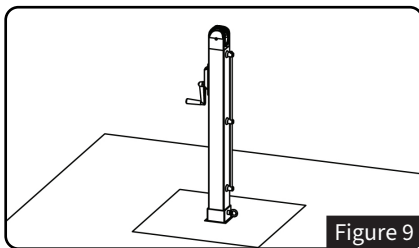


Figure 9

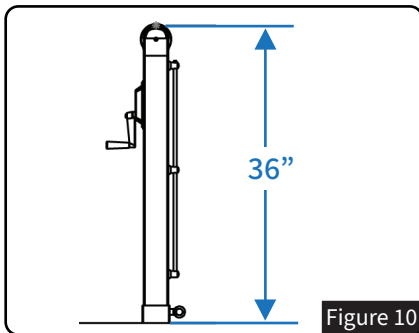


Figure 10

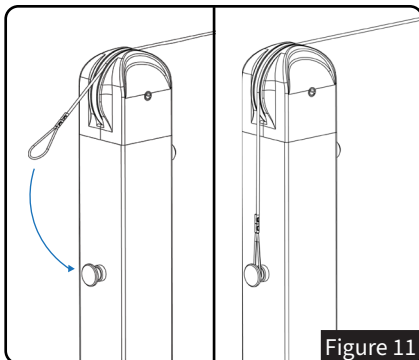


Figure 11

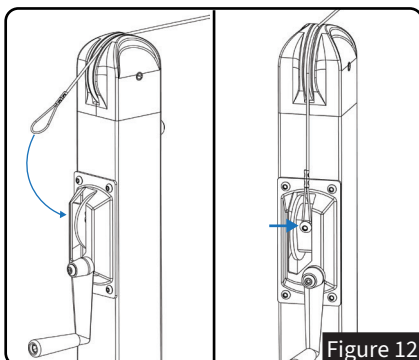


Figure 12

SECTION 2 | POST ASSEMBLY + SETUP

STEP 1- Attach Crank Handle

- Remove the screw from the Crank Handle (Part E).
- Attach handle to Winder Post (Part D).
- Replace and tighten screw. See *Figure 6*.

STEP 2- Slide on Height Collars

- Slide Height Collar (Part H) onto each post.
- Ensure eyebolts face inward, on the same side as the lacing rod. See *Figure 7*.

STEP 3- Install Posts

- Remove Anchor Sleeve Caps (B) from Anchor Sleeves (A).
- Insert each post into the sleeve with the lacing rod facing inward toward the opposite post.
- Repeat for both sides. See *Figures 8 & 9*.

STEP 4- Set Post Height

- Loosen eyebolts on the Height Collar (H).
- Adjust post height to 36" using a tape measure and retighten eyebolts to secure. See *Figure 10*.

SECTION 3 | NET INSTALLATION

STEP 5- Attach the Net to the Hook Post

- Place one end of the top cord cable from the Heavy Weight Net (Part F) over the pulley on the Hook Post (Part C).
- Loop the cable around the net hook on the back of the post. See *Figure 11*.

STEP 5- Tension the Net

- Place the other end of the top cord cable over the pulley on the Winder Post (D).
- Attach the cable to the screw on the crank and tighten the screw. See *Figure 12*.
- Rotate the crank handle clockwise to tension the net.



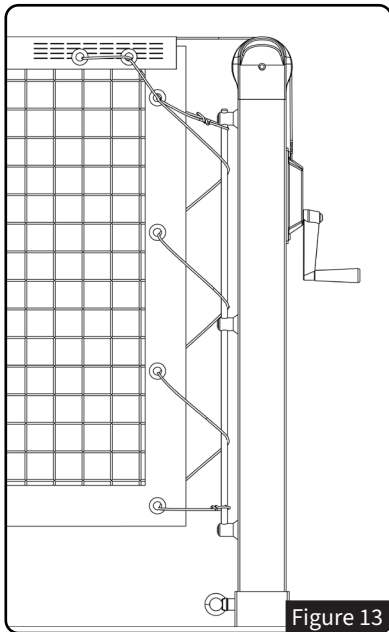
NET HEIGHT CHECK

The center of the net should measure 34".

SECTION 4 | NET LACING

STEP 7- Prepare the Lacing Cord

Tie a 2" knotted loop in one end of the Lacing Cord (Part G).



STEP 8- Start Lacing

Feed the opposite end of the **Lacing Cord (g)** around the lacing rod, through the top grommet in the sideband of the net, and through the 2" knotted loop.

STEP 9- Lace the Net to the Post

- Thread the **Lacing Cord (D)** through both headband grommets, then back through each grommet in the opposite direction.
- Continue threading the cord around the lacing rod and through each grommet as shown in *Figure 13*, applying even tension as you work down the net.

STEP 10- Secure the Lacing Cord

- Tie off the cord at the bottom of the post.
- Repeat Steps 7–10 on the opposite post.

[ADDITIONAL RESOURCES]

GUIDES, VIDEOS, & FAQs



WARRANTY INFORMATION



NEED HELP? WE'VE GOT YOU COVERED!

If you have questions about assembly or product use, our team is here to help.

801.768.4663
support@leap-products.com
463 E 1600 N Vineyard, UT 84059
www.dominatorhoop.com

Monday – Friday | 9 AM – 5 PM MST

DOMINATOR
BUILT FOR MOMENTS OF GREATNESS

Last Revised: 5.19.26