

# **DOMINATOR**<sup>®</sup>

## ASSEMBLY GUIDE

### STANDARD PORTABLE PICKLEBALL NET

MODEL #: PB-FRAME





# IMPORTANT SAFETY INFORMATION

## BEFORE YOU BEGIN

Read all instructions before assembly. Read the following safety information before assembling or using this product. Failure to follow these instructions may result in serious injury or property damage. Please read the following safety information before assembling or using this product.

### ! Assembly Safety

Follow all instructions carefully and ensure all hardware is securely tightened before use.

### ! Stability

Always assemble on a flat surface. Do not climb, sit, or hang on the net frame.

### ! Pinch Points

Keep hands and fingers clear when connecting frame components or inserting locking pins.

### ! Proper Use

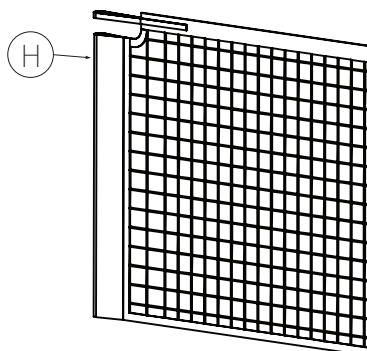
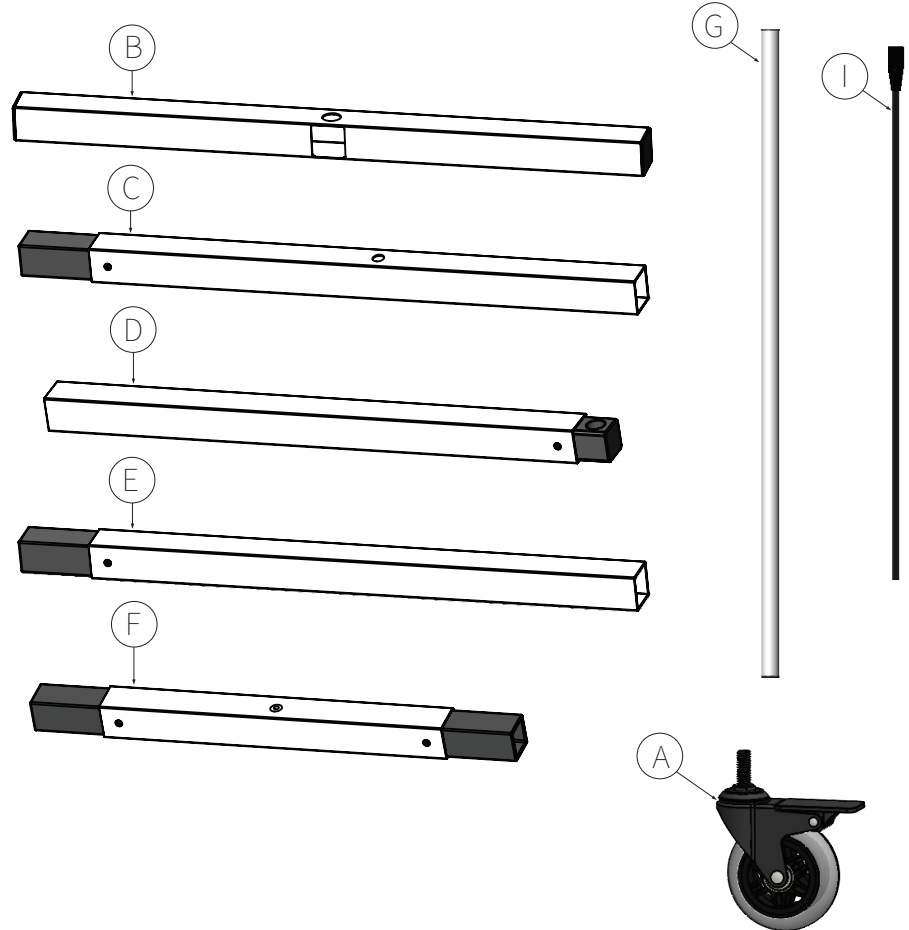
This product is intended for pickleball play only. Misuse may result in injury or damage.

### ! Weather Conditions

Do not leave the net installed during strong winds or severe weather.

## [ PARTS ]

PART	DESCRIPTION	QTY
A	CASTER	6
B	BASE TUBE	2
C	CASTER TUBE	2
D	END TUBE	2
E	STANDARD TUBE	4
F	CENTER TUBE	1
G	NET POST	2
H	NET	1
I	DOWEL	2



# [ INSTRUCTIONS ]

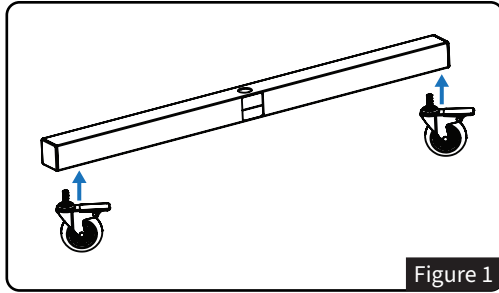


Figure 1

## SECTION 1 | ASSEMBLE THE FRAME

### STEP 1- Install Casters

- Press (2) Casters (Part A) into the bottom of the Base Tube (Part B). See *Figure 1*.
- Press (1) Caster (A) into the bottom of the Caster Tube (Part C). See *Figure 2*.
- Ensure all Casters (A) are fully seated.

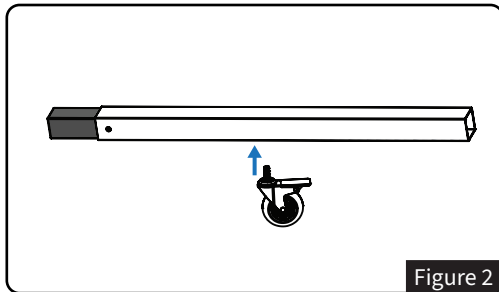


Figure 2

### STEP 2- Connect Side Frame

With the arrow on the End Tube (Part D) facing up, insert it into the Base Tube (B). See *Figure 3*.

### STEP 3- Assemble Main Frame

Connect the Standard Tube (Part E), Caster Tube (Part C), and Center Tube (Part F) as shown to complete the center frame section. See *Figure 4*.

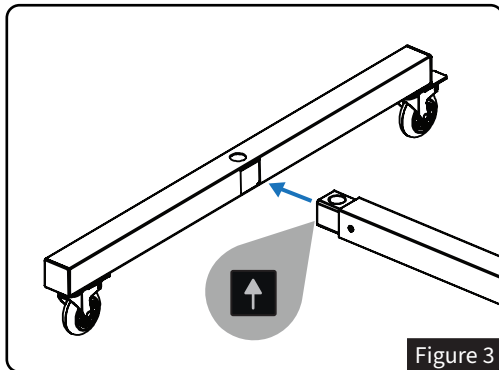


Figure 3

### STEP 4- Assemble Opposite Side

- Repeat Steps 1–3 to assemble the second side.
- Connect the completed section to the opposite end of the Center Tube (E). See *Figure 5*.

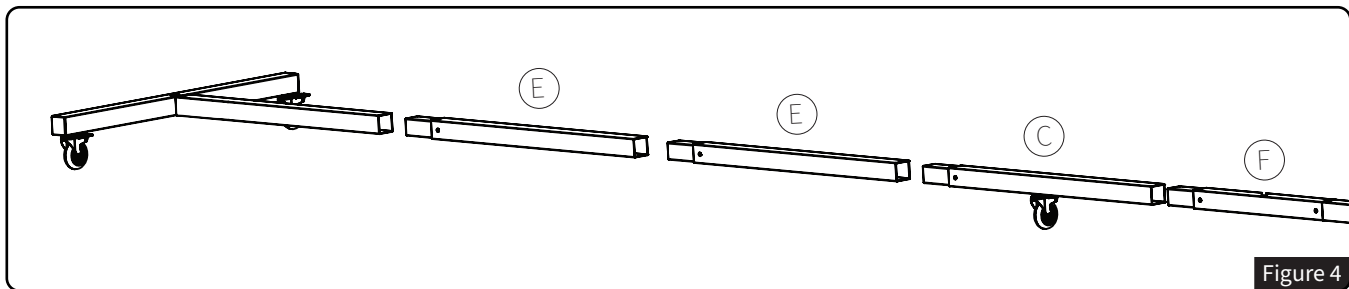


Figure 4

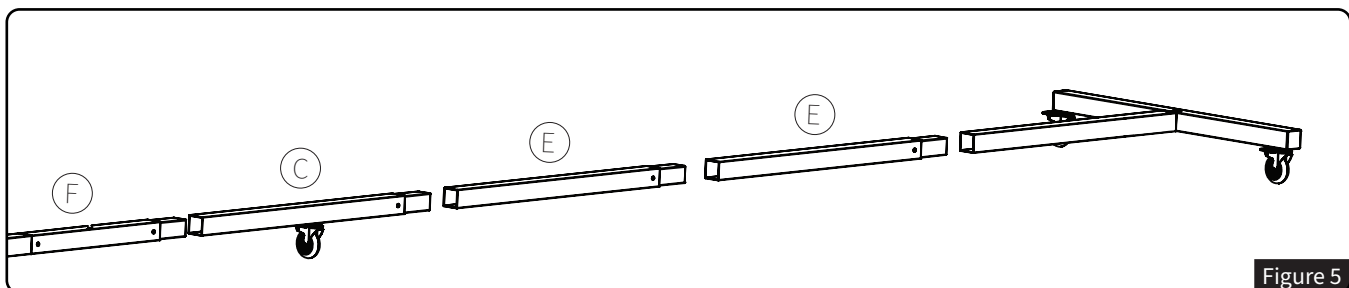
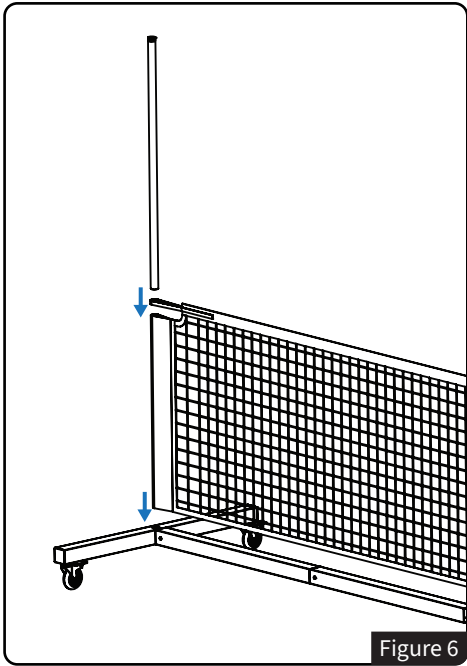


Figure 5



## SECTION 2 | NET INSTALLATION

### STEP 5- Install Net

- Slide both **Net Posts (Part G)** into the sleeves on each end of the **Net (Part H)**.
- Insert the posts into the **Base Tube A (B)** on both sides. See *Figure 6*.
- Secure the Velcro straps to tension the **Net (H)**.



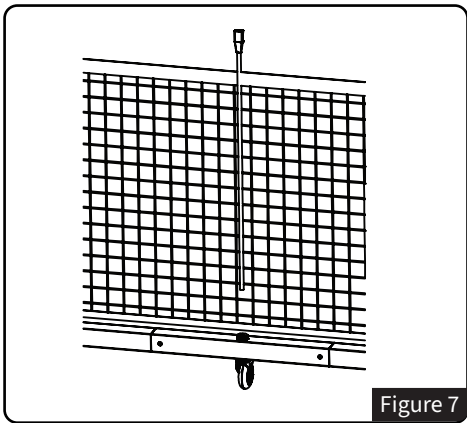
#### TIP

Slightly angle the second post for easier insertion.

## SECTION 3 | CENTER SUPPORT INSTALLATION

### STEP 6- Install Center Dowel

Insert the center **Dowel (Part I)** into the middle net sleeve and into the hole on the **Center Tube (F)**. See *Figure 7*.



## [ ADDITIONAL RESOURCES ]

### GUIDES, VIDEOS, & FAQs



### WARRANTY INFORMATION



### NEED HELP? WE'VE GOT YOU COVERED!

If you have questions about assembly or product use, our team is here to help.

801.768.4663

[support@leap-products.com](mailto:support@leap-products.com)

463 E 1600 N Vineyard, UT 84059

[www.dominatorhoop.com](http://www.dominatorhoop.com)

Monday – Friday | 9 AM – 5 PM MST

# **DOMINATOR**<sup>®</sup>

**BUILT FOR MOMENTS OF GREATNESS**