

DOMINATOR[®]

ASSEMBLY GUIDE

SURFACE MOUNT PICKLEBALL NET

MODEL #: SPB-SM2





IMPORTANT SAFETY INFORMATION

BEFORE YOU BEGIN

Read all instructions before assembly. Read the following safety information before assembling or using this product. Failure to follow these instructions may result in serious injury or property damage. Please read the following safety information before assembling or using this product.

! Assembly Safety

Follow all instructions carefully and ensure all hardware is securely tightened before use.

! Stability

Always assemble on a flat surface. Do not climb, sit, or hang on the net frame.

! Pinch Points

Keep hands and fingers clear when connecting frame components or inserting locking pins.

! Proper Use

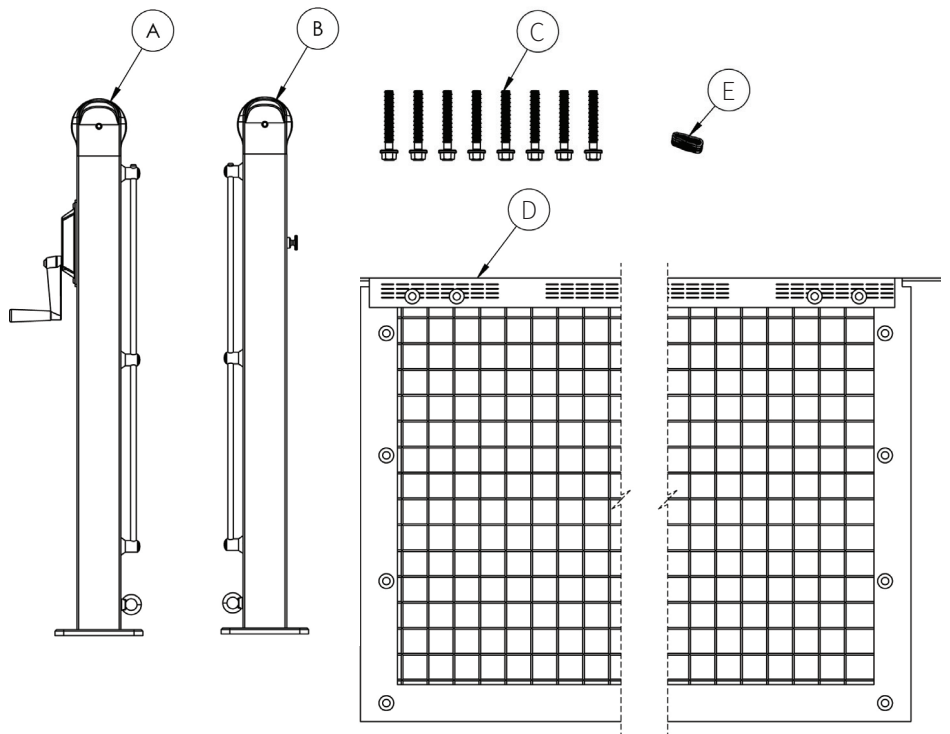
This product is intended for pickleball play only. Misuse may result in injury or damage.

! Weather Conditions

Do not leave the net installed during strong winds or severe weather.

[PARTS]

PART	DESCRIPTION	QTY
A	WINDER POST	1
B	HOOK POST	1
C	½" CONCRETE ANCHOR SCREWS	8
D	HEAVY WEIGHT NET	2
E	LACING CORD	2



TOOLS REQUIRED (NOT INCLUDED)



TAPE MEASURE



PENCIL



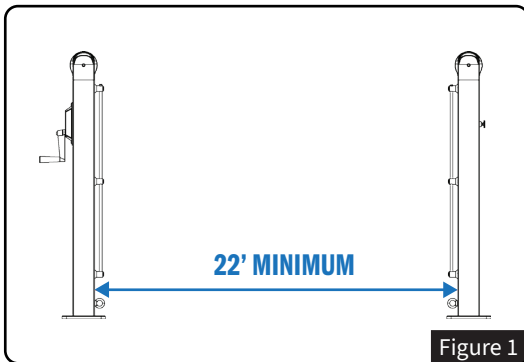
DRILL WITH ½" DRILL BIT

[INSTRUCTIONS]

SECTION 1 | SITE PREPARATION

STEP 1- Position the Posts

- Choose a flat, level location.
- Place the first post, then the second post at least 22' apart, aligned and straight. See *Figure 1*.

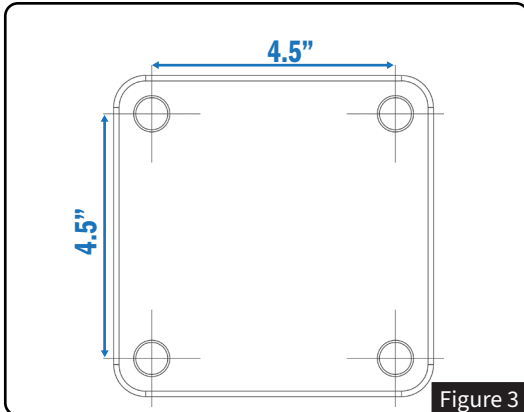
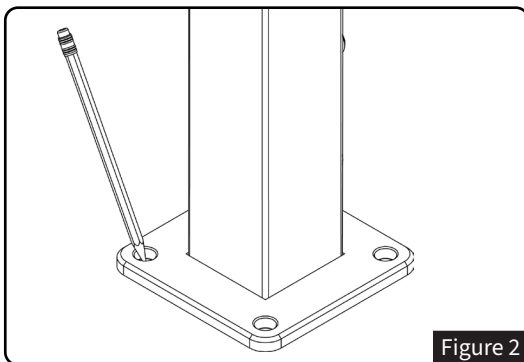


POLE DISTANCE

Both posts should measure at least 22' *apart* from the inside face of each post.

STEP 2- Mark and Drill Holes

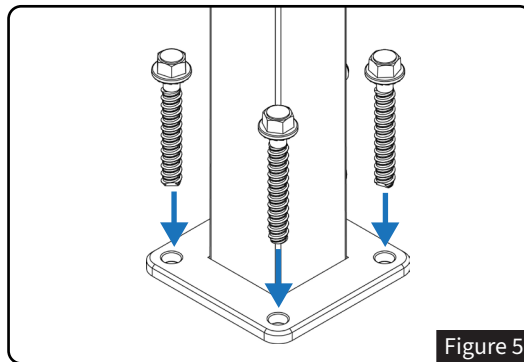
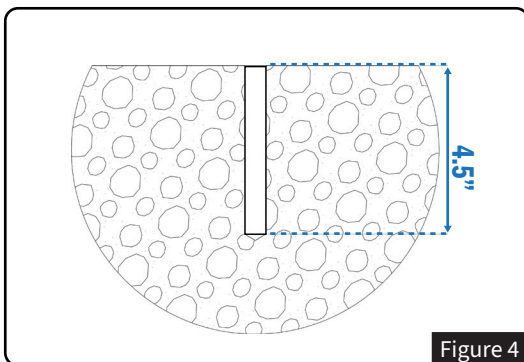
- Mark the four bolt holes for each post (the center of each hole should be 4.5" apart). See *Figures 2 & 3*.
- Set posts aside and drill at least 4.5" deep at each mark (8 holes total). See *Figure 4*.



SECTION 2 | POST INSTALLATION

STEP 3- Install Both Posts

- Align the Winder Post (Part A) and Hook Post (Part B) over drilled holes.
- Secure with 1/2" Concrete Anchor Screws (Part C). See *Figure 5*.



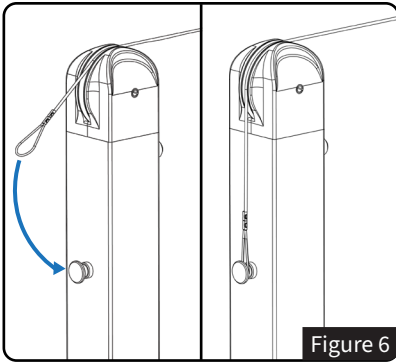


Figure 6

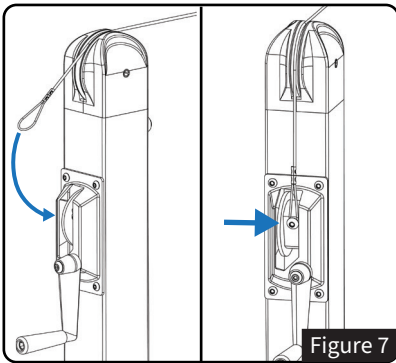


Figure 7

SECTION 3 | NET SETUP

STEP 4- Attach the Net to the Hook Post

- Place one end of the top cord cable from the **Heavy Weight Net (Part D)** over the pulley on the **Hook Post (B)**.
- Loop the cable around the net hook on the back of the post. See *Figure 6*.

STEP 5- Tension the Net

- Place the other end of the top cord cable over the pulley on the **Winder Post (A)**.
- Attach the cable to the screw on the crank and tighten the screw. See *Figure 7*.
- Rotate the crank handle clockwise to tension the net.



NET HEIGHT CHECK

The center of the net should measure 34”.

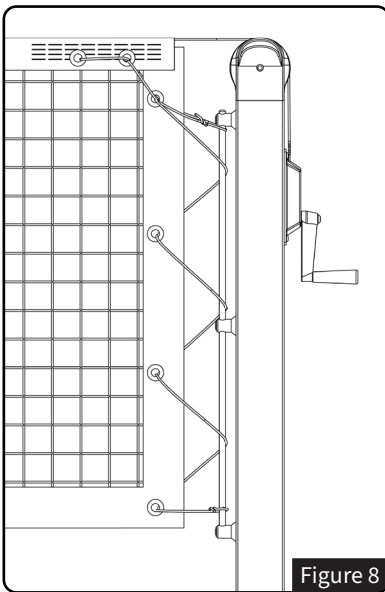


Figure 8

SECTION 4 | NET LACING

STEP 7- Prepare the Lacing Cord

Tie a 2" knotted loop in one end of the **Lacing Cord (Part E)**.

STEP 8- Start Lacing

Feed the opposite end of the **Lacing Cord (E)** around the lacing rod, through the top grommet in the sideband of the net, and through the 2" knotted loop.

STEP 9- Lace the Net to the Post

- Thread the **Lacing Cord (E)** through both headband grommets, then back through each grommet in the opposite direction.
- Continue threading the cord around the lacing rod and through each grommet as shown in *Figure 8*, applying even tension as you work down the net.

STEP 10- Secure the Lacing Cord

- Tie off the cord at the bottom of the post.
- Repeat **Steps 7-10** on the opposite post.

[ADDITIONAL RESOURCES]

GUIDES, VIDEOS, & FAQs



WARRANTY INFORMATION



NEED HELP? WE'VE GOT YOU COVERED!

If you have questions about assembly or product use, our team is here to help.

801.768.4663

support@leap-products.com

463 E 1600 N Vineyard, UT 84059

www.dominatorhoop.com

Monday – Friday | 9 AM – 5 PM MST

DOMINATOR[®]
BUILT FOR MOMENTS OF GREATNESS